

AluX Eva

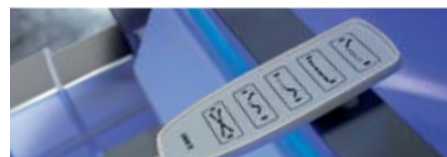


With this range, Chinesport is branching out into beauty, spa and massage tables for the first time, and introduces some additional optional features such as the sections heated at three different temperatures and the synthetic leather upholstery that covers the sides to produce a softer padding effect on the contact surface. Among other noteworthy options, there is a possibility to choose a led lights configuration for combining chromotherapy effects. This is why this model comes with more identification codes than any other height-adjustable table, and even when there is only one option of section width or padding density/ thickness clients can request personalized features and options. These tables have two motors, so they can achieve the Trendelenburg and anti-Trendelenburg position via a dual telescopic column system.

POSITION 4 - Adjusting the head section



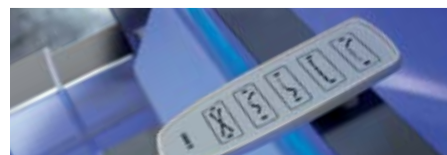
1 **Head section without armrests, adjustable by gas spring** with lever control. This section can be tilted up to + 70°.



2 **Head section without armrests, adjustable by electric motor** with hand control with magnet. This section can be tilted up to + 70°.



3 **Head section with armrests, adjustable by gas spring** with lever control. This section can be tilted up to + 70°.



4 **Head section with armrests, adjustable by electric motor** with hand control with magnet. This section can be tilted up to + 70°.

POSITION 5 - Adjusting the legs-trunk sections



1 **Combined trunk-leg section.** Only one section for trunk and legs which can be adjusted by an electric motor in positive or negative tilt +/- 12°.



3 **Movable sections, adjustable by gas spring** - Two movable sections obtaining a relax position, they are adjustable by gas strut with lever control. It is possible to adjust the tilt of all sections together + / - 12°.



4 **Movable sections, adjustable by electric motor** - Two movable sections obtaining a relax position, they are adjustable by electric motor with magnet. It is possible to adjust the tilt of all sections together + / - 12°.

POSITION 6 - Adjusting the frame in height



F **With hand control**
The adjustment is done by means of a hand control with magnet;

M **With hand control on both sides**
This option includes not only the magnet control by hand, but also a fix control on both sides.

POSITION 7 - Transferring wheels and led illumination



1 Without wheels, without led illumination



2 With transferring wheels

This table can be provided with retractable wheels with centralized brake system lever activation. The wheels enable easy transferring without person lying on it.



8 With led illumination

9 With wheels, with led illumination

The ALUX therapy table is available with led illumination with a possible combination of 640.000 colours. Intensity can be programmed up to 20 ways of illumination by means of a specific wireless control. These lights can provide chromotherapy effects, and they help make the table become harmonically integrated in the place where it is.

POSITION 8, 9, 10, 11 - Width, density and thickness



075 Standard width cm 75

3 Thickness mm 50, Density 30 kg/m³

The width of the sections is of cm 75 standard, while the padding is mm 50 minimum with a 30 kg / m³ density. Our upholstering center can make personalizations, after verifying the feasibility. In such cases an adjustment of the price would be done.

POSITION 12 - Heating



A Padded sections without heating

B Padded sections with heating

For a greater comfort during treatment it is possible to set the bed with a heating function of the sections. Thus, the sections will always be warm and pleasant at touch for a more relaxing experience.

POSITION 13 - Breathing hole



1 Head section without breathing hole



2 Head section with breathing hole

POSITION 14, 15 - Synthetic leather finishing and upholstery colours



X Sections with side band

The sections are made with a side band which makes padding softer. The type of synthetic leather is Giotto type collection. 24 colours of upholstery are available.

Giotto range

colour code upholstery



Pos. 4 Head section

- 1** without armrests, gas spring adjustment
- 2** without armrests, electric adjustment
- 3** with armrests, gas spring adjustment
- 4** with armrests, electric adjustment

Pos. 5 Trunk and legs sections

- 1** One section, tilt only
- 3** Sections adjustable by gas springs
- 4** Sections adjustable electrically

Pos. 6 Height adjustment

- F** Electric, two motors with hand control
- M** Electric with hand control and keypad

Pos. 7 Wheels and led lights

- 1** without wheels, without led lights
- 2** with wheels
- 8** with led lights
- 9** with wheels and led lights

Pos. 8 - 9 - 10 Section width

- 0 7 5** width 75 cm

Pos. 11 Density / Thickness

- 2** Density 30 kg/m³ Height 40 mm

Pos. 12 Heating

- A** Not heating
- B** With heating

Pos. 13 Nose / mouth breathing hole

- 1** Without breathing hole
- 2** With breathing hole

Pos. 14 Type of synthetic leather design

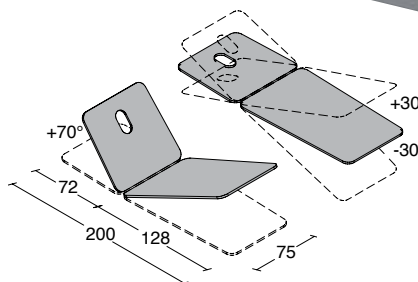
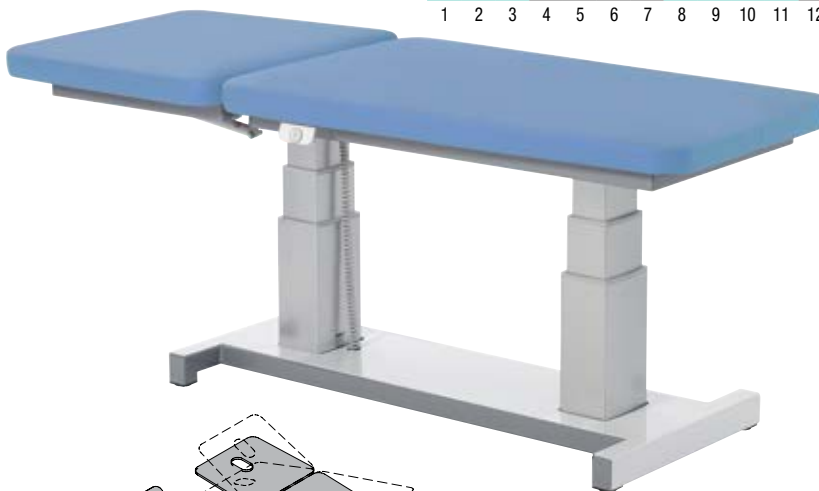
- X** Squared edges

Pos. 15 Section upholstery color

24 options available

For further information on options and accessories, please refer to the specific pages.

LA2 0753



Model shown - code LA2 11M1 0753 A1 XR



TECHNICAL FEATURES

| | |
|---|-----------------------|
| Number of sections | 2/4/6 |
| Max safety load (kg) | 180 |
| Height adjustment (dual telescopic column) | Electric |
| Minimum/maximum table height (cm) | 60-100 |
| Mains supply | 230V 50/60 Hz / 24V |
| Head section adjustment | Gas spring / Electric |
| Head section tilt | +70° |
| Trunk-legs sections adjustment | Gas spring / Electric |
| Trendelenburg / Counter-trendelenburg | Electric |
| Wheels with central braking system | Optional |
| Upholstery safety rating | 1 IM |
| Padding thickness (mm) / Density (kg/m) - X | 50 / 30 |
| Weight (kg) | 85 |



Integrated plugs for power supply.

ACCESSORIES:
AC0034 STANDARD PAPER ROLL SET
AC0035 MAXI PAPER ROLL SET
AC0784 PROTECTIVE SHEET SET
AC0287 CLASSIC PAPER ROLL HOLDER
AC0770.3X? BREATHING HOLE PLUG
AC0024.W? FACE CUSHION

upholstery
color code

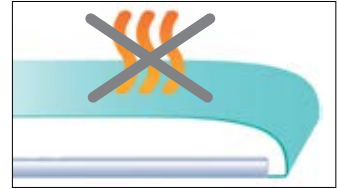


Configuration example n. 1

L A 2 1 1 M 1 0 7 5 3 A 1 X R
 1 2 3 4 5 6 7 8 9 10 11 12 13 14 15



1 Pos. 13 - Head section without breathing hole



A Pos. 12 - Padding without heating



1 Pos. 4 - Head section without armrests, gas spring adjustment



1 Pos. 5 - One trunk and legs section, +/-12° tilt adjustment



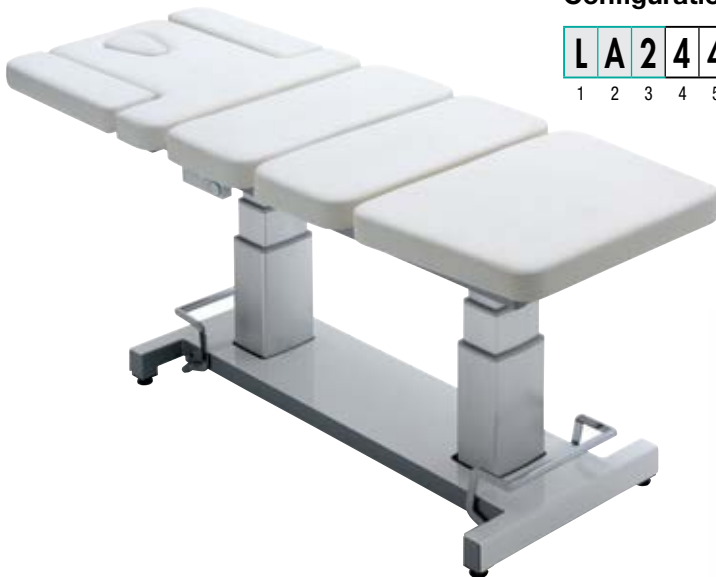
M Pos. 6 - Electric height adjustment with double control



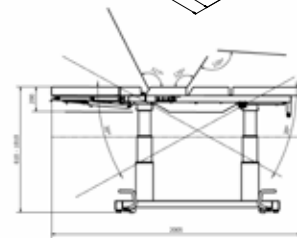
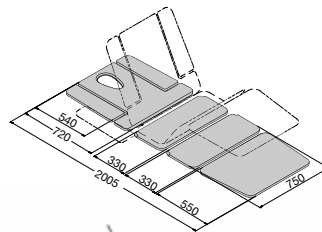
1 Pos. 7 - Without wheels, and without led lights

Configuration example n. 2

L A 2 4 4 M 9 0 7 5 3 B 2 X A
 1 2 3 4 5 6 7 8 9 10 11 12 13 14 15



2 Pos. 13 - Head section with breathing hole



B Pos. 12 - Padding with heating



4 Pos. 4 - Head section with armrests, electric adjustment



4 Pos. 5 - Trunk and legs sections electrically adjustable



M Pos. 6 - Electric height adjustment with double control



9 Pos. 7 - With wheels and led lights

upholstery color code

A **N** **8** **7** **K** **S** **B** **4** **T** **1** **6** **E** **Z** **G** **F** **H** **9** **Q** **R** **2** **3** **L** **M** **P**

FOR PROTECTION AND COMFORT



AC0034 STANDARD PAPER ROLL SET

The set includes 6 x 60 cm wide rolls. Each roll is 85 meters long.



AC0035 MAXI PAPER ROLL SET

The set includes 2 x 90 cm wide rolls. Each roll is 100 meters long.



AC0784 PROTECTIVE SHEET SET

This set contains 10 synthetic fabric sheets with elasticated border. This sheet can be used only for Alux and Sinthesi series.



AC0287 CLASSIC PAPER ROLL HOLDER

This holder can only be attached to the head section of ALUX and MINITOP models and can only be used with paper rolls that are up to 61 cm wide.



AC0770.3X ? BREATHING HOLE PLUG

Dimensions: L 31 x P 23 x H 6



AC0024.W ? FACE CUSHION

Dimensions: L 31 x P 23 x H 6



XCAT0020131 UPHOLSTERY COLOR BOOK

Upon request from design companies or individual professionals who would like to check the actual synthetic leather color before making a purchase, we are happy to send our samples.



An overview on the main features of this new Chinesport special table for aesthetic treatments.

? CHOICE OF UPHOLSTERY COLOR - important: always specify the upholstery code along with the chosen item when this option is available



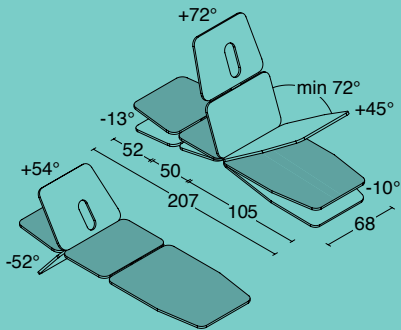
Sinthesi

Our Sinthesi couches allow therapists to effortlessly place patients in countless myofascial stretching postures that can be easily maintained for longer periods of time and without strain. In this relaxed position, various techniques can be applied to facilitate recovery in myofascial elongation, increase joint movement range and achieve an antalgic posture as a relief from acute pain. Also, Sinthesi tables provide the ideal starting position for exercises to stimulate central activation and for isometric muscular work.

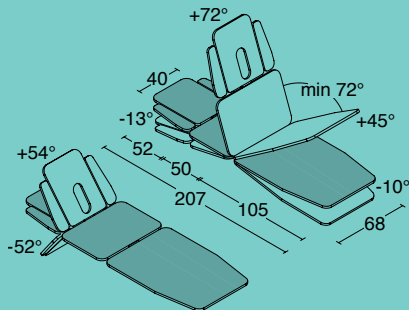


Pos. 3 - 4 - 5 Type of sections

371 SINTHESI SINGLE



381 SINTHESI PLUS SINGLE



Pos. 6 Height adjustment

- A** Electric, with foot switch
- B** Electric, with perimeter foot switch
- E** Electric, two motors with foot switch
- F** Electric, two motors with hand control
- G** Electric, with dual control

Pos. 7 Other options

- 1** No options
- 2** With wheels for transportation
- 5** Additional lateral armrests
- 6** Wheels and lateral armrests

Pos. 8 Synthetic leather design

- W** Seamless rounded edges

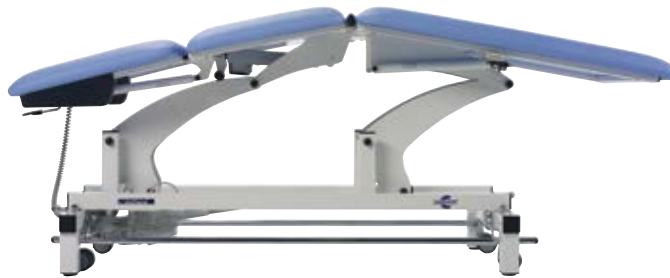
Pos. 9 Section upholstery color

24 options available

For further information on options and accessories, please refer to the first pages.



Model shown - code LS 371 B2 WR



Additional control panel for electric adjustments as standard.

TECHNICAL FEATURES

| | |
|-----------------------------------|--------------------------|
| Number of sections | 3 / 5 |
| Max safety load (kg) | 180 |
| Height adjustment | Electric |
| Minimum/maximum table height (cm) | 48-100 |
| Mains supply | 220V 50/60 Hz - 24V 70VA |
| Actuator thrust (N) | 6000 |
| IP Protection | 54 |
| Head section adjustment | Gas spring-assisted |
| Backrest adjustment | Electric |
| Head section tilt | +54° -52° |
| Wheels diameter (mm) | 65 |
| Braking system | Central |
| Upholstery safety rating | 1 IM |
| Padding thickness (mm) | 40 |
| Density (kg/m³) | 30 |
| Weight (kg) | 95 |

ACCESSORIES:

ELECTRICAL ACCESSORIES:
 AC0037 ADDITIONAL FOOT SWITCH 1
 AC0038 ADDITIONAL FOOT PEDAL 2
 AC0039 ADDITIONAL HAND CONTROL 1
 AC0040 ADDITIONAL HAND CONTROL 2
 AC0083 ADDITIONAL CONTROL
 AC0578 SAFETY DEVICE
 AC0017 AUXILIARY BATTERY
 AC0575 FOOT SWITCH HOLDER *

FOR PROTECTION AND HYGIENE:
 AC0032 PAPER ROLL HOLDER G
 AC0034 STANDARD PAPER ROLL SET
 AC0035 MAXI PAPER ROLL SET
 AC0784 PROTECTIVE SHEET SET

PADDED SUPPORTS AND ELEMENTS:
 AC0022 RPG WALL BAR

CUSHIONS FOR POSTURE:
 Refer to the first pages

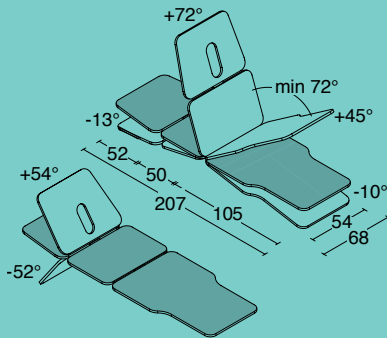
* Foot switch holder not compatible if perimeter footswitch (option B) is chosen

upholstery color code

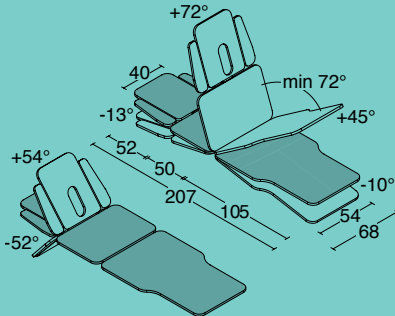


Pos. 3 - 4 - 5 Type of sections

375 SINTHESI NAR



385 SINTHESI PLUS NAR



Pos. 6 Height adjustment

- A** Electric, with foot switch
- B** Electric, with perimeter foot switch
- E** Electric, two motors with foot switch
- F** Electric, two motors with hand control
- G** Electric, with dual control

Pos. 7 Other options

- 1** No options
- 2** With wheels for transportation
- 5** Additional lateral armrests
- 6** Wheels and lateral armrests

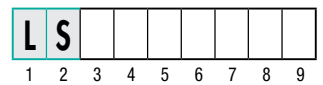
Pos. 8 Synthetic leather design

- W** Seamless rounded edges

Pos. 9 Section upholstery color

24 options available

For further information on options and accessories, please refer to the first pages.



Model shown - code LS 375 B2 WR



Additional control panel for electric adjustments as standard.

TECHNICAL FEATURES

| | |
|-----------------------------------|-------------------------|
| Number of sections | 3 / 5 |
| Max safety load (kg) | 180 |
| Height adjustment | Electric |
| Minimum/maximum table height (cm) | 48-100 |
| Mains supply | 220V 50/60Hz - 24V 70VA |
| Actuator thrust (N) | 6000 |
| IP Protection | 54 |
| Head section adjustment | Gas spring-assisted |
| Backrest adjustment | Electric |
| Head section tilt | +54° -52° |
| Wheels diameter (mm) | 65 |
| Braking system | Central |
| Upholstery safety rating | 1 IM |
| Padding thickness (mm) | 40 |
| Density (kg/m³) | 30 |
| Weight (kg) | 95 |

ACCESSORIES:

ELECTRICAL ACCESSORIES:

- AC0037 ADDITIONAL FOOT SWITCH 1
- AC0038 ADDITIONAL FOOT PEDAL 2
- AC0039 ADDITIONAL HAND CONTROL 1
- AC0040 ADDITIONAL HAND CONTROL 2
- AC0083 ADDITIONAL CONTROL
- AC0578 SAFETY DEVICE
- AC0017 AUXILIARY BATTERY
- AC0575 FOOT SWITCH HOLDER *

FOR PROTECTION AND HYGIENE:

- AC0032 PAPER ROLL HOLDER G
- AC0034 STANDARD PAPER ROLL SET
- AC0035 MAXI PAPER ROLL SET
- AC0784 PROTECTIVE SHEET SET

PADDED SUPPORTS AND ELEMENTS:

- AC0022 RPG WALL BAR

CUSHIONS FOR POSTURE:

Refer to the first pages

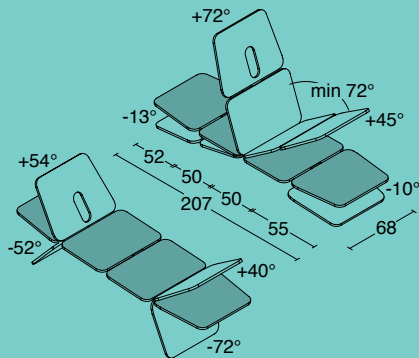
* Foot switch holder not compatible if perimeter footswitch (option B) is chosen

upholstery color code

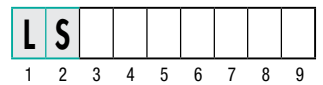
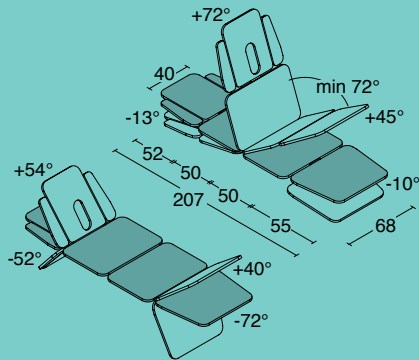


Pos. 3 - 4 - 5 Type of sections

372 SINTHESI DOUBLE



382 SINTHESI PLUS DOUBLE



Model shown - code LS 372 B2 WR

Pos. 6 Height adjustment

- A** Electric, with foot switch
- B** Electric, with perimeter foot switch
- E** Electric, two motors with foot switch
- F** Electric, two motors with hand control
- G** Electric, with dual control

Pos. 7 Other options

- 1** No options
- 2** With wheels for transportation
- 5** Additional lateral armrests
- 6** Wheels and lateral armrests

Pos. 8 Synthetic leather design

- W** Seamless rounded edges

Pos. 9 Section upholstery color

24 options available

For further information on options and accessories, please refer to the first pages.



Additional control panel for electric adjustments as standard.

TECHNICAL FEATURES

| | |
|-----------------------------------|--------------------------|
| Number of sections | 4 / 6 |
| Max safety load (kg) | 180 |
| Height adjustment | Electric |
| Minimum/maximum table height (cm) | 48-100 |
| Mains supply | 220V 50/60 Hz - 24V 70VA |
| Actuator thrust (N) | 6000 |
| IP Protection | 54 |
| Head section adjustment | Gas spring-assisted |
| Backrest adjustment | Electric |
| Head section tilt | +54° -52° |
| Wheels diameter (mm) | 65 |
| Braking system | Central |
| Upholstery safety rating | 1 IM |
| Padding thickness (mm) | 40 |
| Density (kg/m³) | 30 |
| Weight (kg) | 97 |

ACCESSORIES:

ELECTRICAL ACCESSORIES:

- AC0037 ADDITIONAL FOOT SWITCH 1
- AC0038 ADDITIONAL FOOT PEDAL 2
- AC0039 ADDITIONAL HAND CONTROL 1
- AC0040 ADDITIONAL HAND CONTROL 2
- AC0083 ADDITIONAL CONTROL
- AC0578 SAFETY DEVICE
- AC0017 AUXILIARY BATTERY
- AC0575 FOOT SWITCH HOLDER *

FOR PROTECTION AND HYGIENE:

- AC0032 PAPER ROLL HOLDER G
- AC0034 STANDARD PAPER ROLL SET
- AC0035 MAXI PAPER ROLL SET
- AC0784 PROTECTIVE SHEET SET

PADDED SUPPORTS AND ELEMENTS:

- AC0022 RPG WALL BAR

CUSHIONS FOR POSTURE:

Refer to the first pages

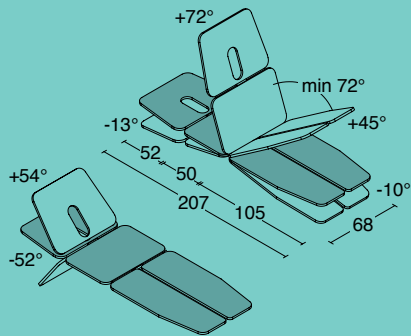
* Foot switch holder not compatible if perimeter footswitch (option B) is chosen

upholstery color code

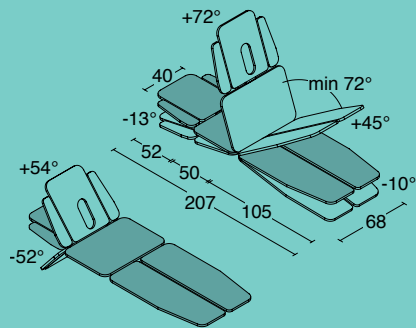


Pos. 3 - 4 - 5 Type of sections

373 SINTHESI SPLIT



383 SINTHESI PLUS SPLIT



Pos. 6 Height adjustment

- A** Electric, with foot switch
- B** Electric, with perimeter foot switch
- E** Electric, two motors with foot switch
- F** Electric, two motors with hand control
- G** Electric, with dual control

Pos. 7 Other options

- 1** No options
- 2** With wheels for transportation
- 5** Additional lateral armrests
- 6** Wheels and lateral armrests

Pos. 8 Synthetic leather design

- W** Seamless rounded edges

Pos. 9 Section upholstery color

24 options available

For further information on options and accessories, please refer to the first pages.



Model shown - code LS 383 B2 WR



Additional control panel for electric adjustments as standard.

TECHNICAL FEATURES

| | |
|-----------------------------------|-------------------------|
| Number of sections | 4 / 6 |
| Max safety load (kg) | 180 |
| Height adjustment | Electric |
| Minimum/maximum table height (cm) | 48-100 |
| Mains supply | 220V 50/60Hz - 24V 70VA |
| Actuator thrust (N) | 6000 |
| IP Protection | 54 |
| Head section adjustment | Gas spring-assisted |
| Backrest adjustment | Electric |
| Head section tilt | +54° -52° |
| Wheels diameter (mm) | 65 |
| Braking system | Central |
| Upholstery safety rating | 1 IM |
| Padding thickness (mm) | 40 |
| Density (kg/m³) | 30 |
| Weight (kg) | 97 |

ACCESSORIES:

ELECTRICAL ACCESSORIES:

- AC0037 ADDITIONAL FOOT SWITCH 1
- AC0038 ADDITIONAL FOOT PEDAL 2
- AC0039 ADDITIONAL HAND CONTROL 1
- AC0040 ADDITIONAL HAND CONTROL 2
- AC0083 ADDITIONAL CONTROL
- AC0578 SAFETY DEVICE
- AC0017 AUXILIARY BATTERY
- AC0575 FOOT SWITCH HOLDER *

FOR PROTECTION AND HYGIENE:

- AC0032 PAPER ROLL HOLDER G
- AC0034 STANDARD PAPER ROLL SET
- AC0035 MAXI PAPER ROLL SET
- AC0784 PROTECTIVE SHEET SET

PADDED SUPPORTS AND ELEMENTS:

- AC0022 RPG WALL BAR

CUSHIONS FOR POSTURE:

Refer to the first pages

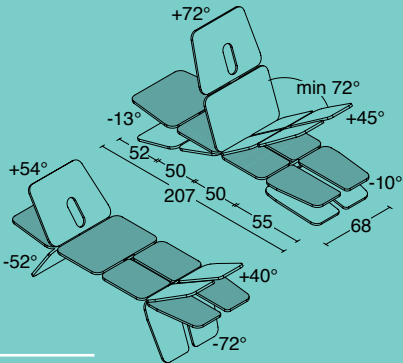
* Foot switch holder not compatible if perimeter footswitch (option B) is chosen

upholstery color code

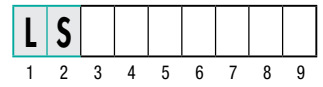
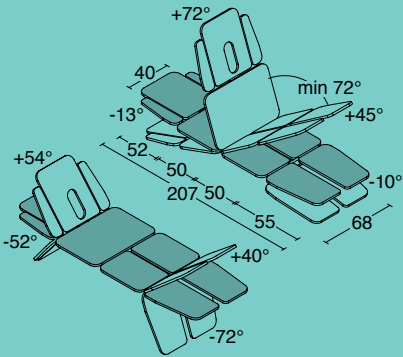


Pos. 3 - 4 - 5 Type of sections

374 SINTHESI MITO



384 SINTHESI PLUS MITO



Model shown - code LS 374 A2 WR

Pos. 6 Height adjustment

- A** Electric, with foot switch
- B** Electric, with perimeter foot switch
- E** Electric, two motors with foot switch
- F** Electric, two motors with hand control
- G** Electric, with dual control

Pos. 7 Other options

- 1** No options
- 2** With wheels for transportation
- 5** Additional lateral armrests
- 6** Wheels and lateral armrests

Pos. 8 Synthetic leather design

- W** Seamless rounded edges

Pos. 9 Section upholstery color

24 options available

For further information on options and accessories, please refer to the first pages.



Additional control panel for electric adjustments as standard

TECHNICAL FEATURES

| | |
|-----------------------------------|--------------------------|
| Number of sections | 6 / 8 |
| Max safety load (kg) | 180 |
| Height adjustment | Electric |
| Minimum/maximum table height (cm) | 48-100 |
| Mains supply | 220V 50/60 Hz - 24V 70VA |
| Actuator thrust (N) | 6000 |
| IP Protection | 54 |
| Head section adjustment | Gas spring-assisted |
| Backrest adjustment | Electric |
| Head section tilt | +54° -52° |
| Wheels diameter (mm) | 65 |
| Braking system | Central |
| Upholstery safety rating | 1 IM |
| Padding thickness (mm) | 40 |
| Density (kg/m ³) | 30 |
| Weight (kg) | 101 |

ACCESSORIES:

ELECTRICAL ACCESSORIES:

- AC0037 ADDITIONAL FOOT SWITCH 1
- AC0038 ADDITIONAL FOOT PEDAL 2
- AC0039 ADDITIONAL HAND CONTROL 1
- AC0040 ADDITIONAL HAND CONTROL 2
- AC0083 ADDITIONAL CONTROL
- AC0578 SAFETY DEVICE
- AC0017 AUXILIARY BATTERY
- AC0575 FOOT SWITCH HOLDER *

FOR PROTECTION AND HYGIENE:

- AC0032 PAPER ROLL HOLDER G
- AC0034 STANDARD PAPER ROLL SET
- AC0035 MAXI PAPER ROLL SET
- AC0784 PROTECTIVE SHEET SET

PADDED SUPPORTS AND ELEMENTS:

- AC0022 RPG WALL BAR

CUSHIONS FOR POSTURE:

Refer to the first pages

* Foot switch holder not compatible if perimeter footswitch (option B) is chosen

upholstery color code



Foundation course on myofascial release techniques using Sinthesi therapy tables and global postural analysis.

Learning objectives:

Participants shall learn how myofascial structures adapt to poor postures in order to economize on movements and avoid pain in the joint movement range. A global postural analysis through GPS enables therapists to identify which groups are requiring treatment in order to regain appropriate posture and movement.

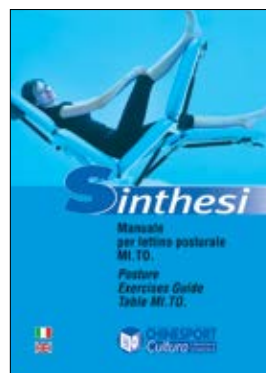
This course shall demonstrate how Sinthesi treatment tables have become an integral part of postural training and treatment for many therapists. With 8 independently mobile sections and uninterrupted, noiseless functions of movement control, therapists can offer a new and unique range of myofascial treatments that provide an efficient and effective treatment for many disorders.

Our Sinthesi tables allow therapists to effortlessly place patients in countless myofascial stretching postures that can be easily maintained for longer periods of time and without strain. In this relaxed position, various techniques can be applied to facilitate recovery in myofascial elongation, increase joint movement range and achieve an antalgic posture as a relief from acute pain. Also, Sinthesi tables provide the ideal starting position for exercises to stimulate central activation and for isometric muscular work.

The myofascial release techniques course is now available worldwide from Chinesport. It is the ideal starting point for trainee practitioners striving to improve their skills. Participants will learn how to use the unique MITO - Sinthesi therapy table within a global approach towards myofascial therapy, with the aim to restore the natural myofascial length and improve posture and movement.



This video shows our postural treatment table MiTo PLUS, with an introduction to how it can be adjusted and the positions that can be achieved. (excerpt from Dr. Francesco Mignani's introductory DVD course)



01778

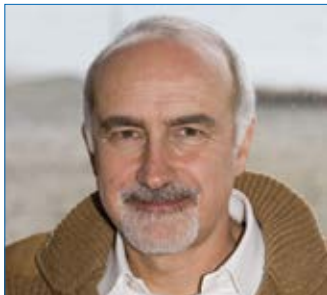
MANUAL FOR MI.TO. TREATMENT TABLE

This document was developed by its author with the aim to offer useful therapeutic indications through the use of a special therapy table for active and passive treatments via postural exercises. Special emphasis is given to respiratory training, awareness of the vertebral column function, mobilization exercises, muscle stretching, decompression of discs and tractions, strengthening and stabilization of the rachis, manual treatment for conditions (e.g. spondylolisthesis, lumbosciatica due to hernia, painful scoliosis, hyperkyphosis) and application in sporting activities. Author Dr. Francesco Mignani; in Italian/English; Size 15 x 21; Pages 30

“Interpreting and understanding any dysfunctional mechanisms caused by a change in the balance of the body unit leads us to consider how important it is to regain such balance, by working on restoring harmony in muscle chains, on the principles of their functional system and their potential correlations (ascending, descending or mixed).”

“If one or more elements, whether internal or external, interfere with this harmony, our body tries to maintain balance by putting the lack of pain first. In order not to suffer pain, our body bends, extends, tilts, reduces its mobility and tries to seek comfort through these defensive adaptations that are certainly less economical. Unfortunately, this leads to significant energy loss particularly for myofascial structures.” (excerpt from manual)

FEEDBACK ON MI.TO. THERAPY TABLES



Prof. **Benedetto Toso**, Posturology Lecturer at the Faculty of Motor Sciences of the Università Cattolica del Sacro Cuore in Milan, Founder and President of the Back School Association.

"The MITO therapy table is a useful tool for professionals so muscle stretching exercises can be performed effectively and by each muscle group, avoiding any potential compensation. Also, in the event of acute lumbago, it enables the patient to passively get into an antalgic posture that helps to re-balance the rachis group and reduce pain. All these features make it a precious tool to have both in physical therapy practices and gyms. The only limitation (which is not in fact a limitation but an advantage) is that you will need to have more than one therapy table in your gym as it helps patients to perform numerous exercises in the most appropriate way".



Dr. **Francesco Mignani**, with a degree in Physiotherapy, specialized in Osteopathy, Motor Sciences teacher, massage therapist and physiotherapist, Director of the Centro Fisioproject in Santa Maria degli Angeli (Assisi), Italy

- *Our MiTo postural table is a multi-functional tool both for direct manual treatments and within a wider postural rehabilitation approach.*
- *Manipulation and posture, posture and manipulation - this interaction is now possible with our MiTo postural table.*
- *Our MiTo postural table facilitates the therapist's work by giving continuity to manual treatments, as it also provides great help to perform postural exercises.*
- *When there is a disorder, the body's overall organization needs a combination of strategies that our MiTo postural table is able to address with its multiple functions.*
- *Caring for the individual as a whole and addressing any complex issues now has an additional tool: the MiTo postural table.*



01945.DVD

POSTURAL EXERCISES WITH THE MI.TO. THERAPY TABLE.

This video offers a theory and practice training course that offers an overview of the possible manual treatments combined with a wider approach involving postural exercises. Our Mi.To. therapy table can also be used to perform passive treatments on the patient, as well as for passive/active and active work. The aim is to regain flexibility and combat stiffness and aging. The course covers all the topics already dealt with in the study manual - code 01778. The Mi.To. therapy table is part of the national education syllabus on the "Mignani Postural Method" and of the Milanino Back School Association - Italy.

In Italian and English; Duration: over 90 minutes



Test Line



This is a range of multi-functional tables for examination and for specific treatments. In particular, they can be used in podiatry, gynecology, urology, cardiology, geriatrics, beauty, phlebotomy or even to transport patients within care facilities. The table height can be adjusted electrically or via hydraulic piston, while the moving sections are servo-assisted by gas spring. In some versions, the seating section is tilt-adjustable via another motor. As a result, these tables can easily change into a seated, relaxation, Trendelenburg and anti-Trendelenburg position even with the patient lying on the table. A series of accessories is also available for specified uses.



For example, this picture shows one configuration that includes the following accessories:

AC0026 FASTENING DEVICE N. 2 PIECES

AC0028 ARMCHAIR ARMREST N. 2 PIECES

Test Line Multi-functional tables

For all Test Series examination, treatment or postural tables, the possible configurations can be integrated by special accessories that are designed for particular uses. The key component for attaching these accessories is a chromed steel fastening device that can be fitted in various positions on both sides of the seat section. Each fastening device code AC0026 allows for attaching one single accessory at a time, which can then be adjusted in height, rotation and tilt.

AC0028 ARMCHAIR ARMREST
Made from polyurethane, can be supplied individually.

EXAMPLE 1
with the addition of:
• n. 2 fastening devices
• n. 2 armchair armrests

AC0710.W? PADDED ARMREST
Made from polyurethane, can be supplied individually.

EXAMPLE 2
with the addition of:
• n. 1 fastening device
• n. 1 padded armrest

AC0029 PHLEBOTOMY ARMREST
Made from polyurethane, can be supplied individually.

EXAMPLE 3
with the addition of:
• n. 2 fastening devices
• n. 1 armchair armrest
• n. 1 phlebotomy armrest

AC0027 DRIP STAND
Made from chromed steel.

EXAMPLE 4
with the addition of:
• n. 2 fastening devices
• n. 1 armchair armrest
• n. 1 drip stand

AC0026 FASTENING DEVICE
Made from chromed steel (can be supplied individually)

For further information on options and accessories, please refer to the first pages.

? CHOICE OF UPHOLSTERY COLOR - important: always specify the upholstery code along with the chosen item when this option is available.



Phlebotomy Couch

This model has two motors; height is adjusted electrically by means of a hand control fitted with a magnet. The backrest and leg rest sections can be adjusted via a system that is servo-assisted by gas springs and convenient levers, while the seat section is easily adjusted by means of another motor. This couch has several positions: seated, relaxation, Trendelenburg and anti-Trendelenburg. Includes wheels.

The configuration can also include the following accessories when used for phlebotomy:

| | |
|----------------------------------|-------------|
| AC0026 FASTENING DEVICE | n. 3 Pieces |
| AC0028 ARMCHAIR ARMREST | n. 1 Piece |
| AC0029 PHLEBOTOMY ARMREST | n. 1 Piece |
| AC0027 DRIP STAND | n. 1 Piece |



Model shown is LE 311 D2 W6

Armchair/Couch and Transport Couch

This multifunctional couch is identified by code LE 311 D2W6.

This model has two motors; height is adjusted electrically by means of a hand control fitted with a magnet.

The backrest and leg rest sections can be adjusted via a system that is servo-assisted by gas springs and convenient levers, while the seat section is easily adjusted by means of another motor. This couch has several positions: seated, relaxation, Trendelenburg and anti-Trendelenburg. Includes wheels. It is useful for patients who cannot stand up and move by themselves, who require long-term care, are bedridden for a long period of time or live in care homes, as it can help them reach the desired height to be then transferred horizontally and come to a seated position while the patient is still lying on the table, and finally be helped to move by a carer.

| | |
|--------------------------------|-------------|
| AC0026 FASTENING DEVICE | n. 2 Pieces |
| AC0028 ARMCHAIR ARMREST | n. 2 Pieces |
| AC0698 PUSH HANDLE | n. 1 Piece |



Model shown is LE 211 D1 W4

Gynecological examination table

Our gynecological and urological examination table has three mobile sections and can have one or two motors for height adjustment and, if required, to adjust the seat section and adjust the tilt angle, with the patient lying on the table and without any strain. This examination table can be adjusted into several positions, starting from sitting at a lower height which makes it easier for the patient to climb on. The sections are adjusted by gas springs and ergonomic levers.

THESE MODELS COME WITH TWO PADDED THIGH SUPPORTS, THAT CAN BE HEIGHT-ADJUSTED AND ROTATED, AND A STAINLESS STEEL REMOVABLE BOWL AS STANDARD SUPPLY.

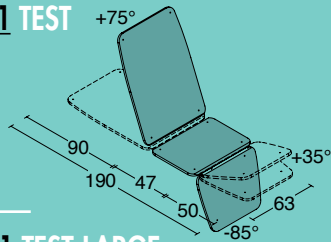


Model shown is LE 351 F2 W6

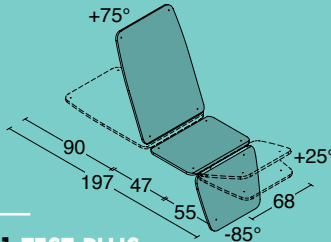
Test Line Multi-functional tables

Pos. 3 - 4 - 5 Type of sections

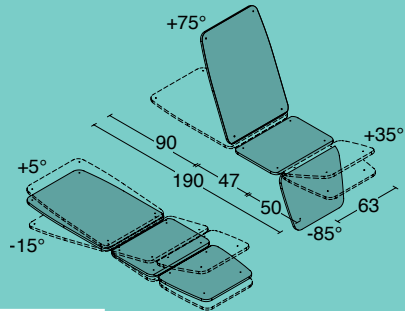
111 TEST



121 TEST LARGE



311 TEST PLUS



Pos. 6 Height adjustment

For models LE111, LE121

- A** Electric, with foot switch
- C** Hydraulic, with double foot switch
- D** Electric, with hand control
- G** Electric, with dual control

For model LE311

- E** Electric, two motors with foot switch
- F** Electric, two motors with hand control

Pos. 7 Other options

- 1** No options
- 2** With wheels for transportation

Pos. 8 Synthetic leather design

- W** Seamless rounded edges

Pos. 9 Section upholstery color

24 options available



Model shown - code LE 111 A1 WT



TECHNICAL FEATURES

| | |
|--|-------------------------|
| Number of sections | 3 |
| Max safety load (kg) | 200 |
| Height adjustment | Electric / Hydraulic |
| Min / max table height (cm) - LE111, LE121 | 60-110 |
| Min / max table height (cm) - LE311 | 65-115 |
| Mains supply | 220V 50-60Hz / 24V 70VA |
| Actuator thrust (N) | 6000 |
| IP Protection | 54 |
| Head section adjustment | Gas spring-assisted |
| Head section tilt | +54° -52° |
| Wheels diameter (mm) | 65 |
| Braking system | Central |
| Upholstery safety rating | 1 IM |
| Padding thickness (mm) | 40 |
| Density (kg/m ³) | 30 |
| Weight (kg) | 82 / 82 / 89 |

ACCESSORIES:

ELECTRICAL ACCESSORIES:

- AC0037 ADDITIONAL FOOT SWITCH 1
- AC0039 ADDITIONAL HAND CONTROL 1
- AC0083 ADDITIONAL CONTROL
- AC0575 FOOT SWITCH HOLDER
- AC0578 SAFETY DEVICE
- AC0017 AUXILIARY BATTERY

FOR PROTECTION AND HYGIENE:

- AC0031 PAPER ROLL HOLDER F
- AC0034 STANDARD PAPER ROLL SET
- AC0035 MAXI PAPER ROLL SET
- AC0036 PROTECTIVE SHEET SET

SPECIALIST ACCESSORIES:

- AC0023.W? CERVICAL CUSHION
- AC0026 FASTENING DEVICE *
- AC0027 DRIP STAND *
- AC0028 ARMCHAIR ARMREST *
- AC0029 PHLEBOTOMY ARMREST *
- AC0710.W? ARMCHAIR ARMREST 2 *

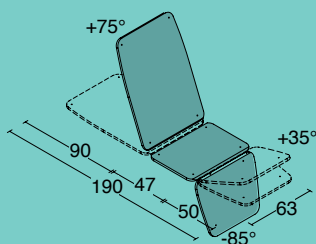
* IMPORTANT NOTE: accessories AC0026, AC0027, AC0028, AC0029, AC0710.W? are only available for models LE111 e LE311

upholstery
color code

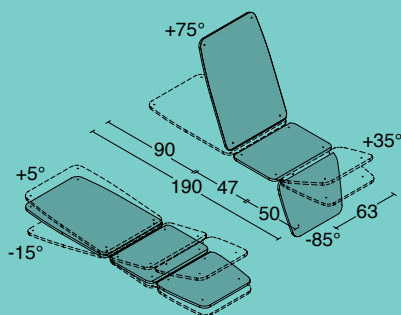


Pos. 3 - 4 - 5 Type of sections

211 TEST MOBIL



411 TEST MOBIL PLUS



Model shown - code LE 211 D1 WT

Pos. 6 Height adjustment

For models LE211

- C Hydraulic, with double foot switch
- D Electric, with hand control
- G Electric, with dual control

For model LE411

- E Electric, two motors with foot switch
- F Electric, two motors with hand control

Pos. 7 Other options

- I No options

Pos. 8 Synthetic leather design

- W Seamless rounded edges

Pos. 9 Section upholstery color

24 options available

For further information on options and accessories, please refer to the specific pages.



TECHNICAL FEATURES

| | |
|-------------------------------------|-------------------------|
| Number of sections | 3 |
| Max safety load (kg) | 200 |
| Height adjustment | Electric / Hydraulic |
| Min / max table height (cm) - LE211 | 60-110 |
| Min / max table height (cm) - LE411 | 65-115 |
| Mains supply | 220V 50-60Hz / 24V 70VA |
| Actuator thrust (N) | 6000 |
| IP Protection | 54 |
| Head section adjustment | Gas spring-assisted |
| Head section tilt | +54° -52° |
| Wheels diameter (mm) | 150 |
| Braking system | Central |
| Upholstery safety rating | 1 IM |
| Padding thickness (mm) | 40 |
| Density (kg/m ³) | 30 |
| Weight (kg) | 82 / 89 |

ACCESSORIES:

ELECTRICAL ACCESSORIES:

- AC0039 ADDITIONAL HAND CONTROL I
- AC0083 ADDITIONAL CONTROL
- AC0575 FOOT SWITCH HOLDER
- AC0578 SAFETY DEVICE
- AC0017 AUXILIARY BATTERY

FOR PROTECTION AND HYGIENE:

- AC0031 PAPER ROLL HOLDER F
- AC0699 PAPER ROLL HOLDER H *
- AC0034 STANDARD PAPER ROLL SET
- AC0035 MAXI PAPER ROLL SET
- AC0036 PROTECTIVE SHEET SET

SPECIALIST ACCESSORIES:

- AC0023.W? CERVICAL CUSHION
- AC0026 FASTENING DEVICE
- AC0027 DRIP STAND
- AC0028 ARMCHAIR ARMREST
- AC0029 PHLEBOTOMY ARMREST
- AC0710.W? ARMCHAIR ARMREST 2
- AC0698 PUSH HANDLE *

* IMPORTANT NOTE: "Push handle" can be combined with "Paper Roll Holder H (AC0699) only.

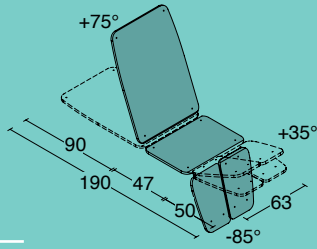
upholstery color code



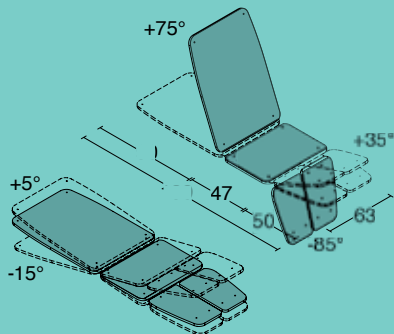
Test Line Multi-functional tables

Pos. 3 - 4 - 5 Type of sections

141 TEST PODO



341 TEST PLUS PODO



Pos. 6 Height adjustment

For model LE141

- A** Electric, with foot switch
- C** Hydraulic, with double foot switch
- D** Electric, with hand control
- G** Electric, with dual control

For model LE341

- E** Electric, two motors with foot switch
- F** Electric, two motors with hand control

Pos. 7 Other options

- 1** No options
- 2** With wheels for transportation

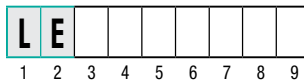
Pos. 8 Synthetic leather design

- W** Seamless rounded edges

Pos. 9 Section upholstery color

24 options available

For further information on options and accessories, please refer to the first pages.



Model shown - code LE 341 F1 W6



Configuration example for a treatment table from the VISIT range.



TECHNICAL FEATURES

| | |
|-------------------------------------|-------------------------|
| Number of sections | 4 |
| Max safety load (kg) | 200 |
| Height adjustment | Electric |
| Min / max table height (cm) - LE141 | 60-110 |
| Min / max table height (cm) - LE341 | 65-115 |
| Mains supply | 220V 50-60Hz / 24V 70VA |
| Actuator thrust (N) | 6000 |
| IP Protection | 54 |
| Head section adjustment | Gas spring-assisted |
| Head section tilt | +54 -52 |
| Wheels diameter (mm) | 65 |
| Braking system | Central |
| Upholstery safety rating | 1 IM |
| Padding thickness (mm) | 40 |
| Density (kg/m ³) | 30 |
| Weight (kg) | 82 / 85 |

ACCESSORIES:

ELECTRICAL ACCESSORIES:

- AC0038 ADDITIONAL FOOT PEDAL 2
- AC0040 ADDITIONAL HAND CONTROL 2
- AC0083 ADDITIONAL CONTROL
- AC0575 FOOT SWITCH HOLDER
- AC0578 SAFETY DEVICE
- AC0017 AUXILIARY BATTERY

FOR PROTECTION AND HYGIENE:

- AC0031 PAPER ROLL HOLDER F
- AC0034 STANDARD PAPER ROLL SET
- AC0035 MAXI PAPER ROLL SET
- AC0036 PROTECTIVE SHEET SET

PADDED SUPPORTS AND ELEMENTS:

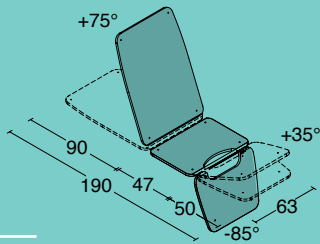
- AC0023.W? CERVICAL CUSHION
- AC0026 FASTENING DEVICE
- AC0027 DRIP STAND
- AC0028 ARMCHAIR ARMREST
- AC0029 PHLEBOTOMY ARMREST
- AC0710.W? ARMCHAIR ARMREST 2

upholstery color code

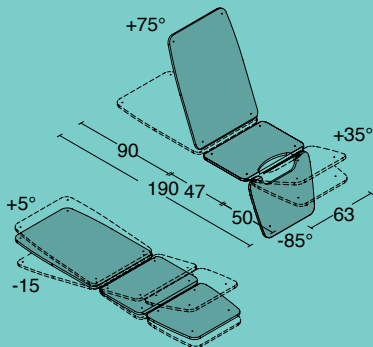


Pos. 3 - 4 - 5 Type of sections

151 TEST UROGYN



351 TEST PLUS UROGYN



Pos. 6 Height adjustment

For model LE151

- A** Electric, with foot switch
- C** Hydraulic, with double foot switch
- D** Electric, with hand control
- G** Electric, with dual control

For model LE351

- E** Electric, two motors with foot switch
- F** Electric, two motors with hand control

Pos. 7 Other options

- 1** No options
- 2** With wheels for transportation

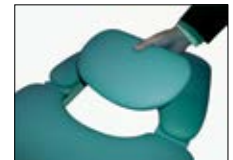
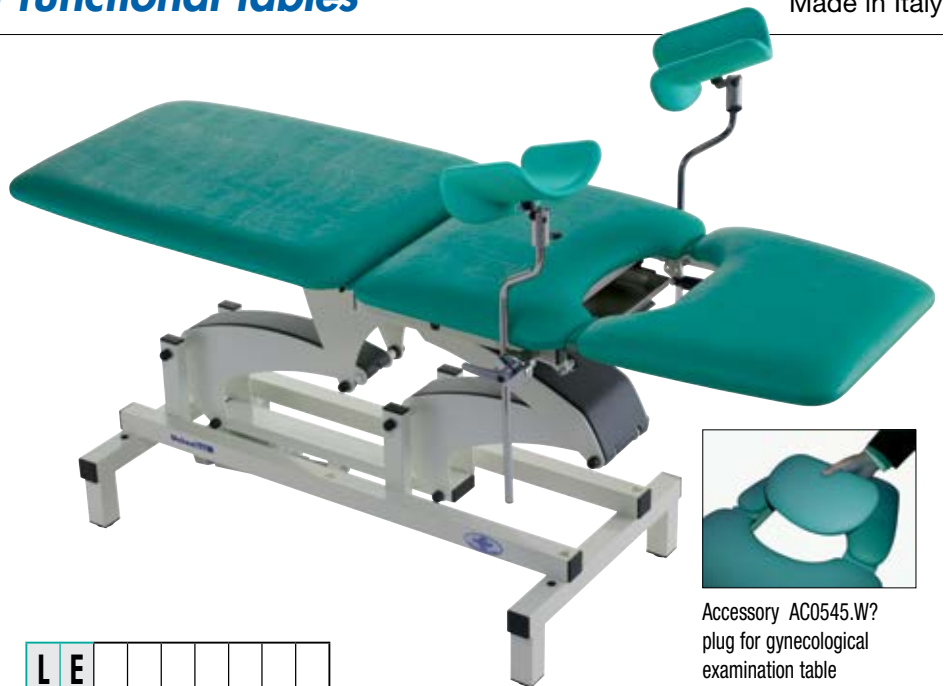
Pos. 8 Synthetic leather design

- W** Seamless rounded edges

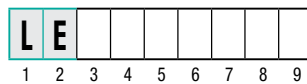
Pos. 9 Section upholstery color

24 options available

For further information on options and accessories, please refer to the first pages.



Accessory AC0545.W?
plug for gynecological
examination table



Model shown - code LE 351 F1 W6



Padded thigh holders and bowl are included in the standard supply.

TECHNICAL FEATURES

| | |
|-------------------------------------|-------------------------|
| Number of sections | 3 |
| Max safety load (kg) | 200 |
| Height adjustment | Electric |
| Min / max table height (cm) - LE151 | 60-110 |
| Min / max table height (cm) - LE351 | 65-115 |
| Mains supply | 220V 50-60Hz / 24V 70VA |
| Actuator thrust (N) | 6000 |
| IP Protection | 54 |
| Head section adjustment | Gas spring-assisted |
| Head section tilt | +75° |
| Wheels diameter (mm) | 65 |
| Braking system | Central |
| Upholstery safety rating | 1 IM |
| Padding thickness (mm) | 40 |
| Density (kg/m ³) | 30 |
| Weight (kg) | 82 / 92 |

ACCESSORIES:

ELECTRICAL ACCESSORIES:

- AC0038 ADDITIONAL FOOT PEDAL 2
- AC0040 ADDITIONAL HAND CONTROL 2
- AC0083 ADDITIONAL CONTROL
- AC0575 FOOT SWITCH HOLDER
- AC0578 SAFETY DEVICE
- AC0017 AUXILIARY BATTERY

FOR PROTECTION AND HYGIENE:

- AC0031 PAPER ROLL HOLDER F
- AC0034 STANDARD PAPER ROLL SET
- AC0035 MAXI PAPER ROLL SET
- AC0036 PROTECTIVE SHEET SET

SPECIALIST ACCESSORIES- TEST SERIES:

- AC0023.W? CERVICAL CUSHION
- AC0026 FASTENING DEVICE
- AC0027 DRIP STAND
- AC0028 ARMCHAIR ARMREST
- AC0029 PHLEBOTOMY ARMREST
- AC0324 LEG SUPPORTS
- AC0710.W? ARMCHAIR ARMREST 2
- AC0545.W? PLUG FOR EXAMINATION TABLE

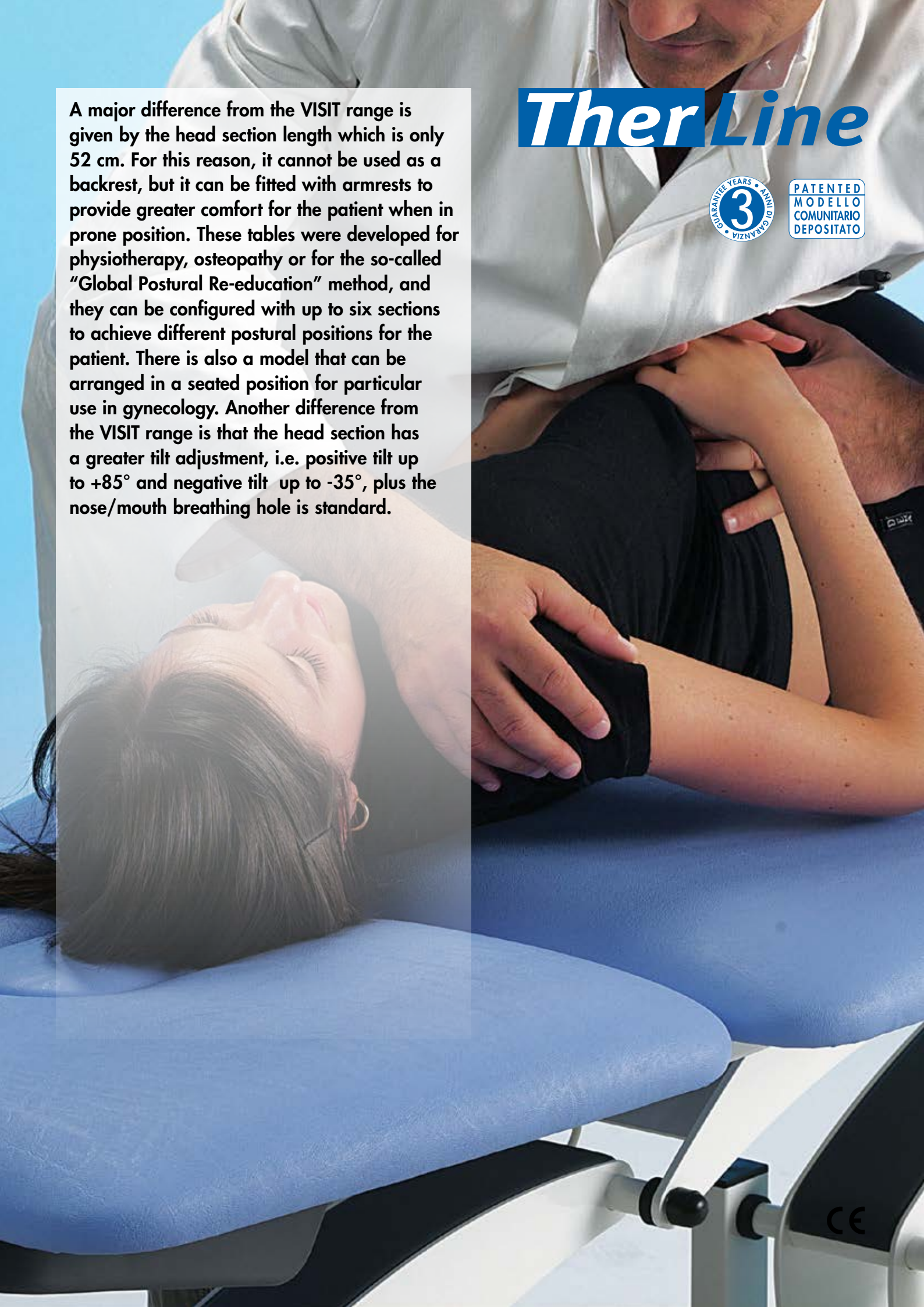
upholstery
color code



TherLine



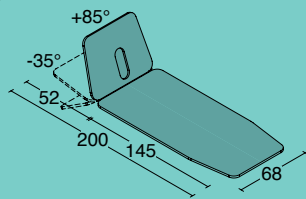
A major difference from the VISIT range is given by the head section length which is only 52 cm. For this reason, it cannot be used as a backrest, but it can be fitted with armrests to provide greater comfort for the patient when in prone position. These tables were developed for physiotherapy, osteopathy or for the so-called "Global Postural Re-education" method, and they can be configured with up to six sections to achieve different postural positions for the patient. There is also a model that can be arranged in a seated position for particular use in gynecology. Another difference from the VISIT range is that the head section has a greater tilt adjustment, i.e. positive tilt up to +85° and negative tilt up to -35°, plus the nose/mouth breathing hole is standard.



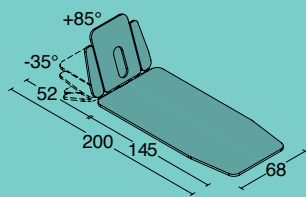
TherLine Therapy tables

Pos. 3 - 4 - 5 Type of sections

111 THER 1



121 THER PLUS 1



Pos. 6 Height adjustment

- A** Electric, with foot switch
- B** Electric, with perimeter foot switch
- C** Hydraulic, with double pedal
- D** Electric, with hand control
- G** Electric, with dual control

Pos. 7 Other options

- 1** No options
- 2** With wheels for transportation

Pos. 8 Synthetic leather design

- W** Seamless rounded edges

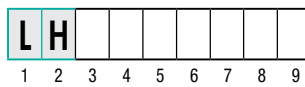
Pos. 9 Section upholstery color

24 options available

Configuration example for a treatment table from the VISIT range.



For further information on options and accessories, please refer to the first pages.



Model shown - Code LH 111 B2 WR



Folding lateral armrest, accessory AC0018.W

TECHNICAL FEATURES

| | |
|-----------------------------------|-------------------------|
| Number of sections | 2 / 4 |
| Max safety load (kg) | 200 |
| height adjustment | Electric / Hydraulic |
| Minimum/maximum table height (cm) | 47-97 |
| Mains supply | 220V 50-60Hz / 24V 70VA |
| Actuator thrust (N) | 6000 |
| IP Protection | 54 |
| Head section adjustment | Gas spring-assisted |
| Head section tilt | +85° -35° |
| Wheels diameter (mm) | 65 |
| braking system | Central |
| Upholstery safety rating | 1 IM |
| Padding thickness (mm) | 40 |
| Density (kg/m ³) | 30 |
| Weight (kg) | 76 / 78 |

ACCESSORIES:

ELECTRICAL ACCESSORIES:

- AC0037 ADDITIONAL FOOT SWITCH 1
- AC0039 ADDITIONAL HAND CONTROL
- AC0575 FOOT SWITCH HOLDER *
- AC0083 ADDITIONAL CONTROL
- AC0578 SAFETY DEVICE
- AC0017 AUXILIARY BATTERY

FOR PROTECTION AND HYGIENE:

- AC0031 PAPER ROLL HOLDER F
- AC0699 PAPER ROLL HOLDER H
- AC0032 PAPER ROLL HOLDER G
- AC0034 STANDARD PAPER ROLL SET
- AC0035 MAXI PAPER ROLL SET
- AC0036 PROTECTIVE SHEET SET

PADDED SUPPORTS AND ELEMENTS:

- AC0018.W? LATERAL ARMRESTS
- AC0021 RPG BAR FOR COUCH

CUSHIONS FOR POSTURE:

Refer to the first pages

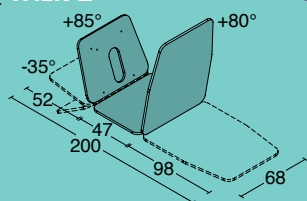
* Foot switch holder not compatible if perimeter footswitch (option B) is chosen

upholstery color code

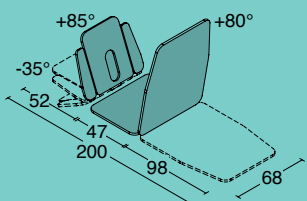


Pos. 3 - 4 - 5 Type of sections

112 THER 2



122 THER PLUS 2



Model shown - code LH 122 B2 WR

Pos. 6 Height adjustment

- A** Electric, with foot switch
- B** Electric, with perimeter foot switch
- C** Hydraulic, with double pedal
- D** Electric, with hand control
- G** Electric, with dual control

Pos. 7 Other options

- 1** No options
- 2** With wheels for transportation

Pos. 8 Synthetic leather design

- W** Seamless rounded edges

Pos. 9 Section upholstery color

24 options available

Configuration example for a treatment table from the VISIT range.



For further information on options and accessories, please refer to the first pages.



Example of portioned trendelenburg position.

TECHNICAL FEATURES

| | |
|-----------------------------------|-------------------------|
| Number of sections | 3 / 5 |
| Max safety load (kg) | 200 |
| height adjustment | Electric / Hydraulic |
| Minimum/maximum table height (cm) | 47-97 |
| Mains supply | 220V 50-60Hz / 24V 70VA |
| Actuator thrust (N) | 6000 |
| IP Protection | 54 |
| head section adjustment | Gas spring-assisted |
| Head section tilt | +85° -35° |
| Wheels diameter (mm) | 65 |
| braking system | Central |
| Upholstery safety rating | 1 IM |
| Padding thickness (mm) | 40 |
| Density (kg/m³) | 30 |
| Weight (kg) | 80 / 82 |

ACCESSORIES:

- ELECTRICAL ACCESSORIES:**
- AC0037 ADDITIONAL FOOT SWITCH 1
 - AC0039 ADDITIONAL HAND CONTROL
 - AC0575 FOOT SWITCH HOLDER *
 - AC0083 ADDITIONAL CONTROL
 - AC0578 SAFETY DEVICE
 - AC0017 AUXILIARY BATTERY

FOR PROTECTION AND HYGIENE:

- AC0031 PAPER ROLL HOLDER F
- AC0699 PAPER ROLL HOLDER H
- AC0032 PAPER ROLL HOLDER G
- AC0034 STANDARD PAPER ROLL SET
- AC0035 MAXI PAPER ROLL SET
- AC0036 PROTECTIVE SHEET SET

ADDITIONAL SUPPORTS:

- AC0018.W? LATERAL ARMRESTS
- AC0021 RPG BAR FOR COUCH

CUSHIONS FOR POSTURE:
Refer to the first pages

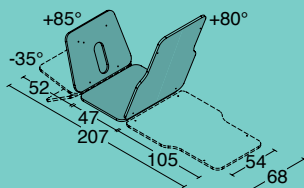
* Foot switch holder not compatible if perimeter footswitch (option B) is chosen

upholstery color code

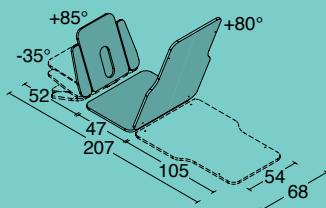


Pos. 3 - 4 - 5 Type of sections

113 THER NAR



123 THER PLUS NAR



Model shown - CODE LH 123 B2 WR

Pos. 6 Height adjustment

- A** Electric, with foot switch
- B** Electric, with perimeter foot switch
- C** Hydraulic, with double foot switch
- D** Electric, with hand control
- G** Electric, with dual control

Pos. 7 Other options

- 1** No options
- 2** With wheels for transportation

Pos. 8 Synthetic leather design

- W** Seamless rounded edges

Pos. 9 Section upholstery color

24 options available



TECHNICAL FEATURES

| | |
|-----------------------------------|-------------------------|
| Number of sections | 3 / 5 |
| Max safety load (kg) | 200 |
| height adjustment | Electric / Hydraulic |
| Minimum/maximum table height (cm) | 47-97 |
| Mains supply | 220V 50-60Hz / 24V 70VA |
| Actuator thrust (N) | 6000 |
| IP Protection | 54 |
| head section adjustment | Gas spring-assisted |
| Head section tilt | +85° -35° |
| Wheels diameter (mm) | 65 |
| braking system | Central |
| Upholstery safety rating | 1 IM |
| Padding thickness (mm) | 40 |
| Density (kg/m ³) | 30 |
| Weight (kg) | 80 / 82 |

ACCESSORIES:

ELECTRICAL ACCESSORIES:
 AC0037 ADDITIONAL FOOT SWITCH 1
 AC0039 ADDITIONAL HAND CONTROL
 AC0575 FOOT SWITCH HOLDER *
 AC0083 ADDITIONAL CONTROL
 AC0578 SAFETY DEVICE
 AC0017 AUXILIARY BATTERY

FOR PROTECTION AND HYGIENE:

AC0031 PAPER ROLL HOLDER F
 AC0699 PAPER ROLL HOLDER H
 AC0032 PAPER ROLL HOLDER G
 AC0034 STANDARD PAPER ROLL SET
 AC0035 MAXI PAPER ROLL SET
 AC0036 PROTECTIVE SHEET SET

PADDED SUPPORTS AND ELEMENTS:

AC0018.W? LATERAL ARMRESTS
 AC0021 RPG BAR FOR COUCH

CUSHIONS FOR POSTURE:

Refer to the first pages

Configuration example for a treatment table from the VISIT range.



For further information on options and accessories, please refer to the first pages.

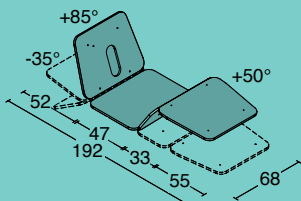
* Foot switch holder not compatible if perimeter footswitch (option B) is chosen

upholstery color code

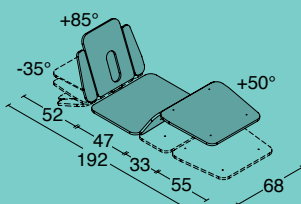


Pos. 3 - 4 - 5 Type of sections

114 THER FLEXION



124 THER PLUS FLEXION



Model shown - code LH 124 B2 WR

Pos. 6 Height adjustment

- A** Electric, with foot switch
- B** Electric, with perimeter foot switch
- C** Hydraulic, with double foot switch
- D** Electric, with hand control
- G** Electric, with dual control

Pos. 7 Other options

- 1** No options
- 2** With wheels for transportation

Pos. 8 Synthetic leather design

- W** Seamless rounded edges

Pos. 9 Section upholstery color

24 options available



TECHNICAL FEATURES

| | |
|-----------------------------------|-------------------------|
| Number of sections | 4 / 6 |
| Max safety load (kg) | 200 |
| height adjustment | Electric / Hydraulic |
| Minimum/maximum table height (cm) | 47-97 |
| Mains supply | 220V 50-60Hz / 24V 70VA |
| Actuator thrust (N) | 6000 |
| IP Protection | 54 |
| head section adjustment | Gas spring-assisted |
| Head section tilt | +85° -35° |
| Wheels diameter (mm) | 65 |
| braking system | Central |
| Upholstery safety rating | 1 IM |
| Padding thickness (mm) | 40 |
| Density (kg/m³) | 30 |
| Weight (kg) | 82 / 84 |

ACCESSORIES:

- ELECTRICAL ACCESSORIES:**
 AC0037 ADDITIONAL FOOT SWITCH 1
 AC0039 ADDITIONAL HAND CONTROL
 AC0575 FOOT SWITCH HOLDER *
 AC0083 ADDITIONAL CONTROL
 AC0578 SAFETY DEVICE
 AC0017 AUXILIARY BATTERY

FOR PROTECTION AND HYGIENE:

- AC0031 PAPER ROLL HOLDER F
 AC0699 PAPER ROLL HOLDER H
 AC0032 PAPER ROLL HOLDER G
 AC0034 STANDARD PAPER ROLL SET
 AC0035 MAXI PAPER ROLL SET
 AC0036 PROTECTIVE SHEET SET

PADDED SUPPORTS AND ELEMENTS:

- AC0018.W? LATERAL ARMRESTS
 AC0021 RPG BAR FOR COUCH

CUSHIONS FOR POSTURE:

Refer to the first pages

* Foot switch holder not compatible if perimeter footswitch (option B) is chosen

Configuration example for a treatment table from the VISIT range.



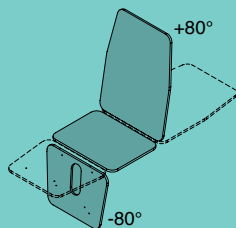
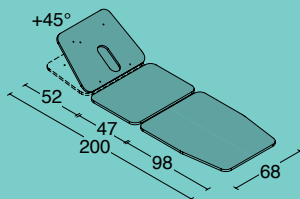
For further information on options and accessories, please refer to the first pages.

upholstery color code



Pos. 3 - 4 - 5 Type of sections

118 THER GYN



Model shown - CODE LH 118 B2 WR

Pos. 6 Height adjustment

- A** Electric, with foot switch
- B** Electric, with perimeter foot switch
- C** Hydraulic, with double foot switch
- D** Electric, with hand control
- G** Electric, with dual control

Pos. 7 Other options

- 1** No options
- 2** With wheels for transportation

Pos. 8 Synthetic leather design

- W** Seamless rounded edges

Pos. 9 Section upholstery color

24 options available

Configuration example for a treatment table from the VISIT range.



For further information on options and accessories, please refer to the first pages.

Padded thigh holders are included.



Sitting position with accessory headrest code AC0023.W

TECHNICAL FEATURES

| | |
|-----------------------------------|-------------------------|
| Number of sections | 3 |
| Max safety load (kg) | 200 |
| height adjustment | Electric / Hydraulic |
| Minimum/maximum table height (cm) | 47-97 |
| Mains supply | 220V 50-60Hz / 24V 70VA |
| Actuator thrust (N) | 6000 |
| IP Protection | 54 |
| head section adjustment | Gas spring-assisted |
| Head section tilt | +85° -35° |
| Wheels diameter (mm) | 65 |
| braking system | Central |
| Upholstery safety rating | 1 IM |
| Padding thickness (mm) | 40 |
| Density (kg/m ³) | 30 |
| Weight (kg) | 80 |

ACCESSORIES:

ELECTRICAL ACCESSORIES:
 AC0037 ADDITIONAL FOOT SWITCH 1
 AC0039 ADDITIONAL HAND CONTROL
 AC0575 FOOT SWITCH HOLDER *
 AC0083 ADDITIONAL CONTROL
 AC0578 SAFETY DEVICE
 AC0017 AUXILIARY BATTERY

FOR PROTECTION AND HYGIENE:
 AC0031 PAPER ROLL HOLDER F
 AC0032 PAPER ROLL HOLDER G
 AC0034 STANDARD PAPER ROLL SET
 AC0035 MAXI PAPER ROLL SET
 AC0036 PROTECTIVE SHEET SET

PADDED SUPPORTS AND ELEMENTS:
 AC0021 RPG BAR FOR COUCH

CUSHIONS FOR POSTURE:
 Refer to the first pages

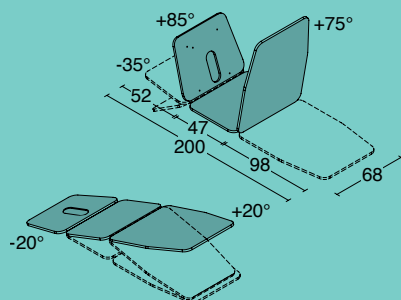
* Foot switch holder not compatible if perimeter footswitch (option B) is chosen

upholstery color code

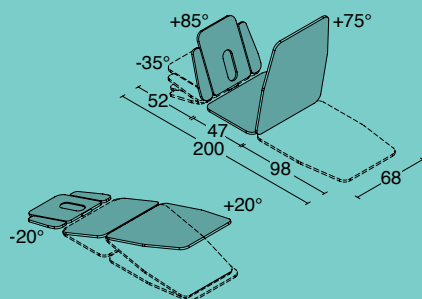


Pos. 3 - 4 - 5 Type of sections

117 THER MODULAR



127 THER PLUS MODULAR



Model shown - CODE LH 127 B2 WR

Pos. 6 Height adjustment

- A** Electric, with foot switch
- B** Electric, with perimeter foot switch
- C** Hydraulic, with double foot
- D** Electric, with hand control
- G** Electric, with dual control

Pos. 7 Other options

- 1** No options
- 2** With wheels for transportation

Pos. 8 Synthetic leather design

- W** Seamless rounded edges

Pos. 9 Section upholstery color

24 options available

For further information on options and accessories, please refer to the first pages.

upholstery color code



Configuration example for a treatment table from the VISIT range.

| TECHNICAL FEATURES | |
|-----------------------------------|-------------------------|
| Number of sections | 3 / 5 |
| Max safety load (kg) | 200 |
| height adjustment | Electric / Hydraulic |
| Minimum/maximum table height (cm) | 47-97 |
| Mains supply | 220V 50-60Hz / 24V 70VA |
| Actuator thrust (N) | 6000 |
| IP Protection | 54 |
| head section adjustment | Gas spring-assisted |
| Head section tilt | +85° -35° |
| Wheels diameter (mm) | 65 |
| braking system | Central |
| Upholstery safety rating | 1 IM |
| Padding thickness (mm) | 40 |
| Density (kg/m ³) | 30 |
| Weight (kg) | 82 / 84 |

ACCESSORIES:

- ELECTRICAL ACCESSORIES:**
- AC0037 ADDITIONAL FOOT SWITCH 1
 - AC0039 ADDITIONAL HAND CONTROL
 - AC0575 FOOT SWITCH HOLDER *
 - AC0083 ADDITIONAL CONTROL
 - AC0578 SAFETY DEVICE
 - AC0017 AUXILIARY BATTERY

FOR PROTECTION AND HYGIENE:

- AC0031 PAPER ROLL HOLDER F
- AC0699 PAPER ROLL HOLDER H
- AC0032 PAPER ROLL HOLDER G
- AC0034 STANDARD PAPER ROLL SET
- AC0035 MAXI PAPER ROLL SET
- AC0036 PROTECTIVE SHEET SET

PADDED SUPPORTS AND ELEMENTS:

- AC0018.W? LATERAL ARMRESTS
- AC0021 RPG BAR FOR COUCH

CUSHIONS FOR POSTURE:

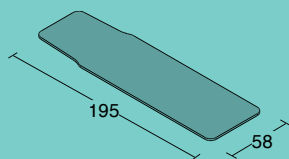
Refer to the first pages

* Foot switch holder not compatible if perimeter footswitch (option B) is chosen

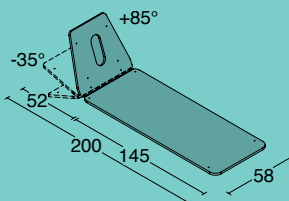
TherLine Therapy tables

Pos. 3 - 4 - 5 Type of sections

109 THER OSTEO D



135 THER OSTEO



Pos. 6 Height adjustment

- A** Electric, with foot switch
- B** Electric, with perimeter foot switch
- C** Hydraulic, with double foot
- D** Electric, with hand control
- G** Electric, with dual control

Pos. 7 Other options

- 1** No options
- 2** With wheels for transportation

Pos. 8 Synthetic leather design

- W** Seamless rounded edges

Pos. 9 Section upholstery color

24 options available

Configuration example for a treatment table from the VISIT range.



For further information on options and accessories, please refer to the first pages.



Model shown - CODE LH 135 B2 WZ



AC0019.W? **LOAD-RELIEF ARMREST**

The head section can be turned by up to 180°.

TECHNICAL FEATURES

| | |
|-----------------------------------|----------------------------------|
| Number of sections | 1 / 2 |
| Max safety load (kg) | 200 |
| Height adjustment | Electric / Hydraulic |
| Minimum/maximum table height (cm) | 47-97 |
| Mains supply | 220V 50-60Hz / 24V 70VA |
| Actuator thrust (N) | 6000 |
| IP Protection | 54 |
| Head section adjustment | Gas spring-assisted (only LH135) |
| Head section tilt | +85° -35° |
| Wheels diameter (mm) | 65 |
| Braking system | Central |
| Upholstery safety rating | 1 IM |
| Padding thickness (mm) | 40 |
| Density (kg/m³) | 50 |
| Weight (kg) | 70 |

ACCESSORIES:

- ELECTRICAL ACCESSORIES:**
- AC0037 ADDITIONAL FOOT SWITCH 1
 - AC0039 ADDITIONAL HAND CONTROL
 - AC0575 FOOT SWITCH HOLDER *
 - AC0083 ADDITIONAL CONTROL
 - AC0578 SAFETY DEVICE
 - AC0017 AUXILIARY BATTERY
- FOR PROTECTION AND HYGIENE:**
- AC0031 PAPER ROLL HOLDER F
 - AC0699 PAPER ROLL HOLDER H (only LH135)
 - AC0032 PAPER ROLL HOLDER G
 - AC0034 STANDARD PAPER ROLL SET
 - AC0035 MAXI PAPER ROLL SET
 - AC0036 PROTECTIVE SHEET SET
- PADDED SUPPORTS AND ELEMENTS:**
- AC0019.W? CROSS ARMREST
 - AC0021 RPG BAR FOR COUCH
- CUSHIONS FOR POSTURE:**
- Refer to the first pages

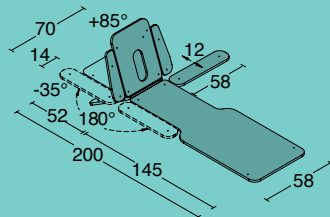
* Foot switch holder not compatible if perimeter footswitch (option B) is chosen

upholstery color code



Pos. 3 - 4 - 5 Type of sections

126 THER PLUS GLOBAL



Pos. 6 Height adjustment

- A** Electric, with foot switch
- B** Electric, with perimeter foot switch
- C** Hydraulic, with double foot switch
- D** Electric, with hand control
- G** Electric, with dual control



Model shown - CODE LH 126 B2 WZ

Pos. 7 Other options

- 1** No options
- 2** With wheels for transportation

Pos. 8 Synthetic leather design

- W** Seamless rounded edges

Pos. 9 Section upholstery color

24 options available



The two lateral armrests can be turned by up to 180° and moved by 12 cm.

TECHNICAL FEATURES

| | |
|-----------------------------------|-------------------------|
| Number of sections | 6 |
| Max safety load (kg) | 200 |
| Height adjustment | Electric / Hydraulic |
| Minimum/maximum table height (cm) | 47-97 |
| Mains supply | 220V 50-60Hz / 24V 70VA |
| Actuator thrust (N) | 6000 |
| IP Protection | 54 |
| Head section adjustment | Gas spring-assisted |
| Head section tilt | +85° -35° |
| Wheels diameter (mm) | 65 |
| Braking system | Central |
| Upholstery safety rating | 1 IM |
| Padding thickness (mm) | 40 |
| Density (kg/m ³) | 50 |
| Weight (kg) | 76 |

ACCESSORIES:

- ELECTRICAL ACCESSORIES:**
AC0037 ADDITIONAL FOOT SWITCH 1
AC0039 ADDITIONAL HAND CONTROL
AC0575 FOOT SWITCH HOLDER *
AC0083 ADDITIONAL CONTROL
AC0578 SAFETY DEVICE
AC0017 AUXILIARY BATTERY

FOR PROTECTION AND HYGIENE:

- AC0031** PAPER ROLL HOLDER F
AC0699 PAPER ROLL HOLDER H
AC0032 PAPER ROLL HOLDER G
AC0034 STANDARD PAPER ROLL SET
AC0035 MAXI PAPER ROLL SET
AC0036 PROTECTIVE SHEET SET

PADDED SUPPORTS AND ELEMENTS:

- AC0021** RPG BAR FOR COUCH
AC0022 RPG WALL BAR

- CUSHIONS FOR POSTURE:**
 Refer to the first pages

Configuration example for a treatment table from the VISIT range.



For further information on options and accessories, please refer to the first pages.

upholstery color code



uniX Line



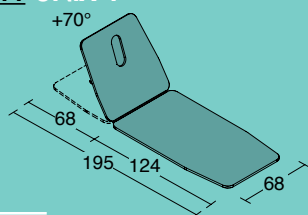
This range is an alternative to the classic ranges called VISIT and THER used for examinations, treatments and physiotherapy. In particular, the distinguishing feature in these tables is that height adjustment occurs while the individual sections remaining completely motionless. This makes them particularly suitable for smaller environments or to make the best use of available space, as well as to maintain the position chosen for exercises once the pulley therapy system has been set up. You can opt for a simplified base frame and configure the head section with a backrest that is 68 cm long, instead of a smaller, 52 cm long section that can come with armrests. The second type of head section can have positive and negative tilt adjustment: up to $+85^\circ / -35^\circ$.



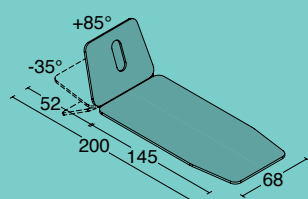
CE

Pos. 3 - 4 - 5 Type of sections

111 UNIX 1



112 UNIX 2



Pos. 6 Height adjustment

D Electric, with hand control

Pos. 7 Other options

- 1** No options
- 2** With wheels for transportation

Pos. 8 Synthetic leather design

W Seamless rounded edges

Pos. 9 Section upholstery color

24 options available



Model shown - code LC 111 D2 W7



Configuration example for a treatment table from the VISIT range.



For further information on options and accessories, please refer to the first pages.

TECHNICAL FEATURES

| | |
|-----------------------------------|---------------------|
| Number of sections | 2 |
| Max safety load (kg) | 170 |
| Height adjustment | Electric |
| Minimum/maximum table height (cm) | 55-93 |
| Mains supply | 230 V 50/60 Hz 1,5A |
| Actuator thrust (N) | 6000 |
| IP Protection | 44 |
| Head section adjustment | Gas spring-assisted |
| Head section tilt - Unix 1 | +70° |
| Head section tilt - Unix 2 | +85° -35° |
| Wheels diameter (mm) | 65 |
| Braking system | Central |
| Upholstery safety rating | 1 IM |
| Padding thickness (mm) | 40 |
| Density (kg/m³) | 30 |
| Weight (kg) | 70 |

ACCESSORIES

FOR PROTECTION AND HYGIENE:

- AC0031 PAPER ROLL HOLDER F
- AC0034 STANDARD PAPER ROLL SET
- AC0035 MAXI PAPER ROLL SET
- AC0036 PROTECTIVE SHEET SET
- AC0699 PAPER ROLL HOLDER H

PADDED SUPPORTS AND ELEMENTS:

- AC0020.W? BREATHING HOLE PLUG (Unix 1 only)
- Unix 2 comes with breathing hole plug as standard
- AC0021 RPG BAR FOR COUCH (Unix 2 only)
- AC0022 RPG WALL BAR

CUSHIONS FOR POSTURE:

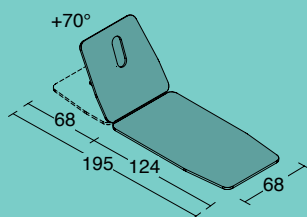
Refer to the first pages

upholstery color code



Pos. 3 - 4 - 5 Type of sections

121 EVO UNIX 1



Pos. 6 Height adjustment

- A** Electric, with foot switch
- B** Electric, with perimeter foot switch
- C** Hydraulic, with double foot switch

Pos. 7 Other options

- 1** No options
- 2** With wheels for transportation

Pos. 8 Synthetic leather design

- W** Seamless rounded edges

Pos. 9 Section upholstery color

24 options available



Model shown - code LC 121 B2 W7



TECHNICAL FEATURES

| | |
|-----------------------------------|----------------------|
| Number of sections | 2 |
| Max safety load (kg) - Electric | 250 |
| Max safety load (kg) - Hydraulic | 200 |
| Height adjustment | Electric / Hydraulic |
| Minimum/maximum table height (cm) | 50-97 |
| Mains supply | 230 V 50/60 Hz 2A |
| Actuator thrust (N) | 8000 |
| IP Protection | 54 |
| Head section adjustment | Gas spring-assisted |
| Head section tilt | +70° |
| Wheels diameter (mm) | 65 |
| Braking system | Central |
| Upholstery safety rating | 1 IM |
| Padding thickness (mm) | 40 |
| Density (kg/m³) | 30 |
| Weight (kg) | 85 |

ACCESSORIES

FOR PROTECTION AND HYGIENE:
 AC0031 PAPER ROLL HOLDER F
 AC0034 STANDARD PAPER ROLL SET
 AC0035 MAXI PAPER ROLL SET
 AC0036 PROTECTIVE SHEET SET
 AC0699 PAPER ROLL HOLDER H

PADDED SUPPORTS AND ELEMENTS:
 AC0020.W? BREATHING HOLE PLUG
 AC0022 RPG WALL BAR

CUSHIONS FOR POSTURE:
 Refer to the first pages

Configuration example for a treatment table from the VISIT range.



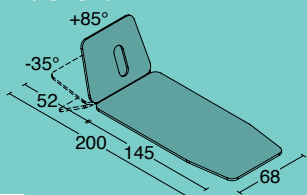
For further information on options and accessories, please refer to the first pages.

upholstery color code

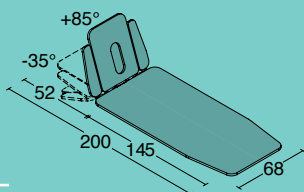


Pos. 3 - 4 - 5 Type of sections

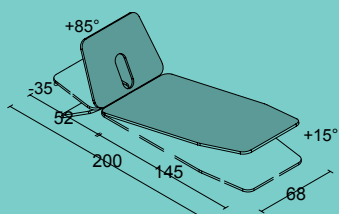
122 EVO UNIX 2



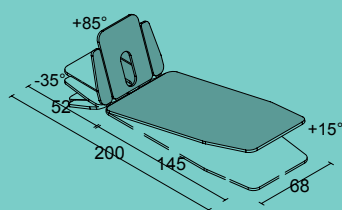
123 EVO UNIX PLUS



124 EVO UNIX 2 TREND



125 EVO UNIX PLUS TREND



Pos. 6 Height adjustment

- A** Electric, with foot switch
- B** Electric, with perimeter foot switch
- C** Hydraulic, with double foot switch

Pos. 7 Other options

- 1** No options
- 2** With wheels for transportation

Pos. 8 Synthetic leather design

- W** Seamless rounded edges

Pos. 9 Section upholstery color

24 options available

For further information on options and accessories, please refer to the first pages.



Model shown - code LC123B2W7



TECHNICAL FEATURES

| | |
|-----------------------------------|-------------------------------------|
| Number of sections | 2 / 4 |
| Max safety load (kg) - Electric | 250 |
| Max safety load (kg) - Hydraulic | 200 |
| Height adjustment | Electric / Hydraulic |
| Minimum/maximum table height (cm) | 50 - 97 |
| Mains supply | 230 V 50/60 Hz 2A |
| Actuator thrust (N) | 8000 |
| IP Protection | 54 |
| Head section adjustment | Gas spring-assisted |
| Head section tilt | +85° -35° |
| Wheels diameter (mm) | 65 |
| Braking system | Central |
| Upholstery safety rating | 1 IM |
| Padding thickness (mm) | 40 |
| Density (kg/m ³) | 30 |
| Weight (kg) | 85 (LC122; LC123) 90 (LC124; LC125) |

ACCESSORIES

FOR PROTECTION AND HYGIENE:
AC0031 PAPER ROLL HOLDER F
AC0034 STANDARD PAPER ROLL SET
AC0035 MAXI PAPER ROLL SET
AC0036 PROTECTIVE SHEET SET
AC0699 PAPER ROLL HOLDER H

PADDED SUPPORTS AND ELEMENTS:
AC0021 RPG BAR FOR COUCH
AC0022 RPG WALL BAR

CUSHIONS FOR POSTURE:
 Refer to the first pages

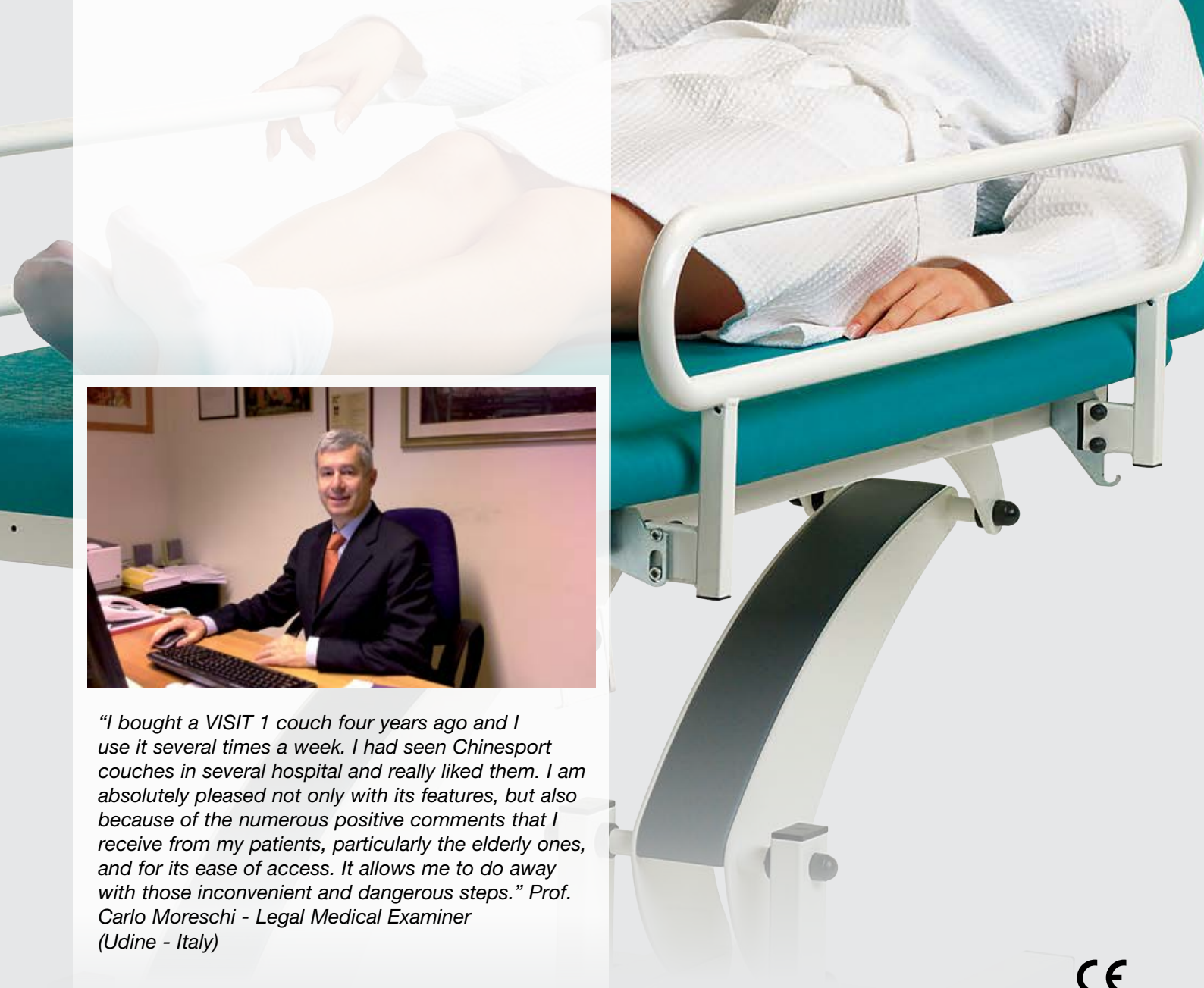
upholstery
color code



Visit Line



This is the classic range of examination and treatment tables consisting mainly of two sections, with a 68 cm-long head section that can be used as a backrest. The backrest can have positive and negative tilt adjustment: up to +70° /- 20°. Height is adjusted via one of the most reliable motors available on the market. A hydraulic version is also available as an alternative. The frame is unique for its simplicity and harmonious design, which is protected by registered Community design. Some of our tables are also available with larger wheels so they can be used to transport patients. This configuration can be completed by fitting a set of safety siderails.

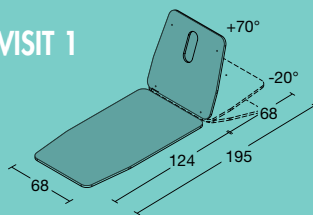


"I bought a VISIT 1 couch four years ago and I use it several times a week. I had seen Chinesport couches in several hospital and really liked them. I am absolutely pleased not only with its features, but also because of the numerous positive comments that I receive from my patients, particularly the elderly ones, and for its ease of access. It allows me to do away with those inconvenient and dangerous steps." Prof. Carlo Moreschi - Legal Medical Examiner (Udine - Italy)

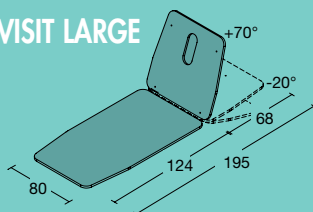


Pos. 3 - 4 - 5 Type of sections

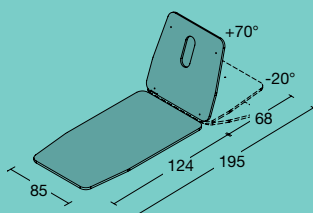
111 VISIT 1



121 VISIT LARGE



131 VISIT EXTRA LARGE



Pos. 6 Height adjustment

- A** Electric, with foot switch
- B** Electric, with perimeter foot switch
- C** Hydraulic, with double foot switch
- D** Electric, with hand control
- G** Electric, with dual control

Pos. 7 Other options

- 1** No options
- 2** With wheels for transportation
- 3** Safety siderails
- 4** Wheels and siderails

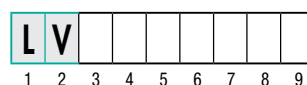
Pos. 8 Synthetic leather design

- W** Seamless rounded edges

Pos. 9 Section upholstery color

24 options available

For further information on options and accessories, please refer to the first pages.



Model shown - code LV 111 A1 W6



TECHNICAL FEATURES

| | |
|-----------------------------------|-------------------------|
| Number of sections | 2 |
| Max safety load (kg) | 200 |
| height adjustment | Electric / Hydraulic |
| Minimum/maximum table height (cm) | 47-97 |
| Mains supply | 220V 50-60Hz / 24V 70VA |
| Actuator thrust (N) | 6000 |
| IP Protection | 54 |
| head section adjustment | Gas spring-assisted |
| Head section tilt | +70° -20° |
| Wheels diameter (mm) | 65 |
| braking system | Central |
| Upholstery safety rating | 1 IM |
| Padding thickness (mm) | 40 |
| Density (kg/m ³) | 30 |
| Weight (kg) | 70 / 74 |

ACCESSORIES:

ELECTRICAL ACCESSORIES:

- AC0037 ADDITIONAL FOOT SWITCH 1
- AC0039 ADDITIONAL HAND CONTROL 1
- AC0083 ADDITIONAL CONTROL
- AC0578 SAFETY DEVICE
- AC0017 AUXILIARY BATTERY
- AC0575 FOOT SWITCH HOLDER *

FOR PROTECTION AND HYGIENE:

- AC0031 PAPER ROLL HOLDER F
- AC0699 PAPER ROLL HOLDER H
- AC0032 PAPER ROLL HOLDER G
- AC0034 STANDARD PAPER ROLL SET
- AC0035 MAXI PAPER ROLL SET
- AC0036 PROTECTIVE SHEET SET

PADDED SUPPORTS AND ELEMENTS:

- AC0020.W? BREATHING HOLE PLUG
- AC0881.W? FACE CUSHION 2
- AC0313 DRIP STAND SUPPORTS **
- AC0027 DRIP STAND **

CUSHIONS FOR POSTURE:

Refer to the first pages

* Foot switch holder not compatible if perimeter footswitch (option B) is chosen

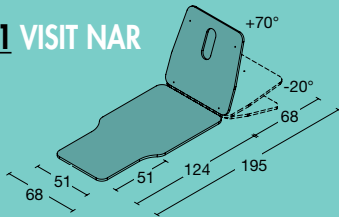
** Accessories AC0313 and AC0027 are not available for model LV131.

upholstery
color code



Pos. 3 - 4 - 5 Type of sections

141 VISIT NAR



Pos. 6 Height adjustment

- A** Electric, with foot switch
- B** Electric, with perimeter foot switch
- C** Hydraulic, with double foot switch
- D** Electric, with hand control
- G** Electric, with dual control

Pos. 7 Other options

- 1** No options
- 2** With wheels for transportation
- 3** Safety siderails
- 4** Wheels and siderails

Pos. 8 Synthetic leather design

- W** Seamless rounded edges

Pos. 9 Section upholstery color

24 options available



Detail of electrical height adjustment with perimeter foot switch - option B

For further information on options and accessories, please refer to the first pages.



Model shown - code LV 141 A1 W6

Configuration example for a treatment table from the VISIT range.



TECHNICAL FEATURES

| | |
|-----------------------------------|-------------------------|
| Number of sections | 2 |
| Max safety load (kg) | 200 |
| height adjustment | Electric / Hydraulic |
| Minimum/maximum table height (cm) | 47-97 |
| Mains supply | 220V 50-60Hz / 24V 70VA |
| Actuator thrust (N) | 6000 |
| IP Protection | 54 |
| head section adjustment | Gas spring-assisted |
| Head section tilt | +70° -20° |
| Wheels diameter (mm) | 65 |
| braking system | Central |
| Upholstery safety rating | 1 IM |
| Padding thickness (mm) | 40 |
| Density (kg/m³) | 30 |
| Weight (kg) | 70 |

ACCESSORIES:

ELECTRICAL ACCESSORIES:
 AC0037 ADDITIONAL FOOT SWITCH 1
 AC0039 ADDITIONAL HAND CONTROL 1
 AC0083 ADDITIONAL CONTROL
 AC0578 SAFETY DEVICE
 AC0017 AUXILIARY BATTERY
 AC0575 FOOT SWITCH HOLDER *

FOR PROTECTION AND HYGIENE:
 AC0031 PAPER ROLL HOLDER F
 AC0699 PAPER ROLL HOLDER H
 AC0032 PAPER ROLL HOLDER G
 AC0034 STANDARD PAPER ROLL SET
 AC0035 MAXI PAPER ROLL SET
 AC0036 PROTECTIVE SHEET SET

PADDED SUPPORTS AND ELEMENTS:
 AC0020.W? BREATHING HOLE PLUG
 AC0313 DRIP STAND SUPPORTS
 AC0027 DRIP STAND

CUSHIONS FOR POSTURE:
 Refer to the first pages

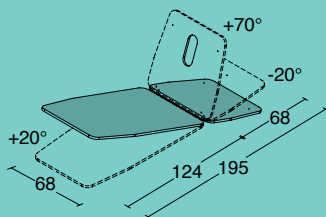
* Foot switch holder not compatible if perimeter footswitch (option B) is chosen

upholstery color code



Pos. 3 - 4 - 5 Type of sections

151 VISIT TREND



Pos. 6 Height adjustment

- A** Electric, with foot switch
- B** Electric, with perimeter foot switch
- C** Hydraulic, with double foot switch
- D** Electric, with hand control
- G** Electric, with dual control

Pos. 7 Other options

- 1** No options
- 2** With wheels for transportation

Pos. 8 Synthetic leather design

- W** Seamless rounded edges

Pos. 9 Section upholstery color

24 options available



Detail of hydraulic height adjustment with double foot switch - option C.

For further information on options and accessories, please refer to the first pages.



Model shown - code LV 151 A1 W6



Configuration example for a treatment table from the VISIT range.



TECHNICAL FEATURES

| | |
|-----------------------------------|-------------------------|
| Number of sections | 2 |
| Max safety load (kg) | 200 |
| height adjustment | Electric / Hydraulic |
| Minimum/maximum table height (cm) | 47-97 |
| Mains supply | 220V 50-60Hz / 24V 70VA |
| Actuator thrust (N) | 6000 |
| IP Protection | 54 |
| head section adjustment | Gas spring-assisted |
| Head section tilt | +70° -20° |
| Wheels diameter (mm) | 65 |
| braking system | Central |
| Upholstery safety rating | 1 IM |
| Padding thickness (mm) | 40 |
| Density (kg/m ³) | 30 |
| Weight (kg) | 70 |

ACCESSORIES:

ELECTRICAL ACCESSORIES:

- AC0037 ADDITIONAL FOOT SWITCH 1
- AC0039 ADDITIONAL HAND CONTROL 1
- AC0083 ADDITIONAL CONTROL
- AC0578 SAFETY DEVICE
- AC0017 AUXILIARY BATTERY
- AC0575 FOOT SWITCH HOLDER *

FOR PROTECTION AND HYGIENE:

- AC0031 PAPER ROLL HOLDER F
- AC0699 PAPER ROLL HOLDER H
- AC0032 PAPER ROLL HOLDER G
- AC0034 STANDARD PAPER ROLL SET
- AC0035 MAXI PAPER ROLL SET
- AC0036 PROTECTIVE SHEET SET

PADDED SUPPORTS AND ELEMENTS:

- AC0020.W? BREATHING HOLE PLUG
- AC0313 DRIP STAND SUPPORTS
- AC0027 DRIP STAND

CUSHIONS FOR POSTURE:

Refer to the first pages

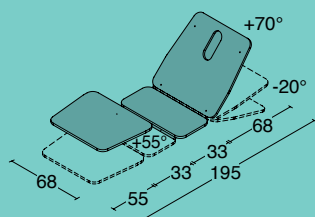
* Foot switch holder not compatible if perimeter footswitch (option B) is chosen

upholstery color code



Pos. 3 - 4 - 5 Type of sections

161 VISIT FLEXION



Pos. 6 Height adjustment

- A** Electric, with foot switch
- B** Electric, with perimeter foot switch
- C** Hydraulic, with double foot switch
- D** Electric, with hand control
- G** Electric, with dual control

Pos. 7 Other options

- 1** No options
- 2** With wheels for transportation
- 3** Safety siderails
- 4** Wheels and siderails

Pos. 8 Synthetic leather design

- W** Seamless rounded edges

Pos. 9 Section upholstery color

24 options available



Detail of electrical height adjustment with dual control - option G.

For further information on options and accessories, please refer to the first pages.



Model shown - code LV 161 A1 W6



TECHNICAL FEATURES

| | |
|-----------------------------------|-------------------------|
| Number of sections | 4 |
| Max safety load (kg) | 200 |
| height adjustment | Electric / Hydraulic |
| Minimum/maximum table height (cm) | 47-97 |
| Mains supply | 220V 50-60Hz / 24V 70VA |
| Actuator thrust (N) | 6000 |
| IP Protection | 54 |
| head section adjustment | Gas spring-assisted |
| Head section tilt | +70° -20° |
| Wheels diameter (mm) | 65 |
| braking system | Central |
| Upholstery safety rating | 1 IM |
| Padding thickness (mm) | 40 |
| Density (kg/m ³) | 30 |
| Weight (kg) | 70 |

ACCESSORIES:

ELECTRICAL ACCESSORIES:
 AC0037 ADDITIONAL FOOT SWITCH 1
 AC0039 ADDITIONAL HAND CONTROL 1
 AC0083 ADDITIONAL CONTROL
 AC0578 SAFETY DEVICE
 AC0017 AUXILIARY BATTERY
 AC0575 FOOT SWITCH HOLDER *

FOR PROTECTION AND HYGIENE:
 AC0031 PAPER ROLL HOLDER F
 AC0699 PAPER ROLL HOLDER H
 AC0032 PAPER ROLL HOLDER G
 AC0034 STANDARD PAPER ROLL SET
 AC0035 MAXI PAPER ROLL SET
 AC0036 PROTECTIVE SHEET SET

PADDED SUPPORTS AND ELEMENTS:
 AC0020.W? BREATHING HOLE PLUG
 AC0313 DRIP STAND SUPPORTS
 AC0027 DRIP STAND

CUSHIONS FOR POSTURE:
 Refer to the first pages

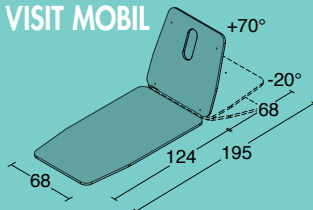
* Foot switch holder not compatible if perimeter footswitch (option B) is chosen

upholstery color code

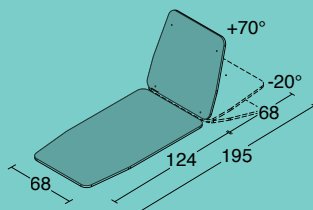


Pos. 3 - 4 - 5 Type of sections

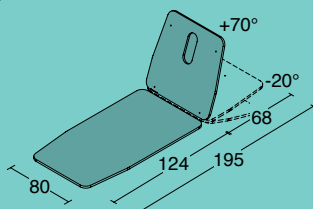
211 VISIT MOBIL



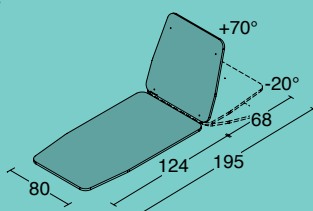
212 VISIT MOBIL BASIC



221 VISIT MOBIL LARGE



222 VISIT MOBIL LARGE BASIC



Pos. 6 Height adjustment

- C** Hydraulic, with double pedal
- D** Electric, with hand control
- G** Electric, with dual control

Pos. 7 Other options

- 1** No options
- 3** Safety siderails

Pos. 8 Synthetic leather design

- W** Seamless rounded edges

Pos. 9 Section upholstery color

24 options available

For further information on options and accessories, please refer to the first pages.



Model shown - code LV 211 D1 W6



Treatment table configuration with safety siderails - option 3.

TECHNICAL FEATURES

| | |
|-----------------------------------|-------------------------|
| Number of sections | 2 |
| Max safety load (kg) | 200 |
| Height adjustment | Electric / Hydraulic |
| Minimum/maximum table height (cm) | 47-97 |
| Mains supply | 220V 50-60Hz / 24V 70VA |
| Actuator thrust (N) | 6000 |
| IP Protection | 54 |
| Head section adjustment | Gas spring-assisted |
| Head section tilt | +70° -20° |
| Wheels diameter (mm) | 120 |
| Braking system | Central |
| Upholstery safety rating | 1 IM |
| Padding thickness (mm) | 40 |
| Density (kg/m³) | 30 |
| Weight (kg) | 70 / 74 |

ACCESSORIES:

ELECTRICAL ACCESSORIES:

- AC0037 ADDITIONAL FOOT SWITCH 1
- AC0039 ADDITIONAL HAND CONTROL 1
- AC0083 ADDITIONAL CONTROL
- AC0578 SAFETY DEVICE
- AC0017 AUXILIARY BATTERY
- AC0575 FOOT SWITCH HOLDER

FOR PROTECTION AND HYGIENE:

- AC0031 PAPER ROLL HOLDER F
- AC0699 PAPER ROLL HOLDER H
- AC0034 STANDARD PAPER ROLL SET
- AC0035 MAXI PAPER ROLL SET
- AC0036 PROTECTIVE SHEET SET

PADDED SUPPORTS AND ELEMENTS:

- AC0020.W? BREATHING HOLE PLUG
- AC0313 DRIP STAND SUPPORTS
- AC0027 DRIP STAND

CUSHIONS FOR POSTURE:

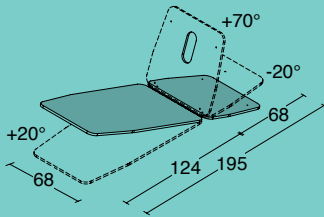
Refer to the first pages

upholstery
color code

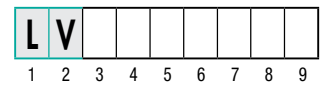
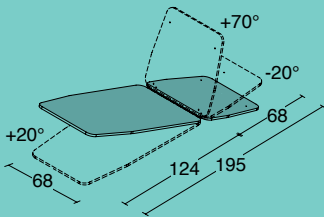


Pos. 3 - 4 - 5 Type of sections

351 VISIT TRANSFER



352 VISIT TRANSFER BASIC



Model shown - code LV 351 C1 W6

Pos. 6 Height adjustment

- C Hydraulic, with double foot switch
- D Electric, with hand control
- G Electric, with dual control

Pos. 7 Other options

- I No options
- Z Compact safety siderails

Pos. 8 Synthetic leather design

- W Seamless rounded edges

Pos. 9 Section upholstery color

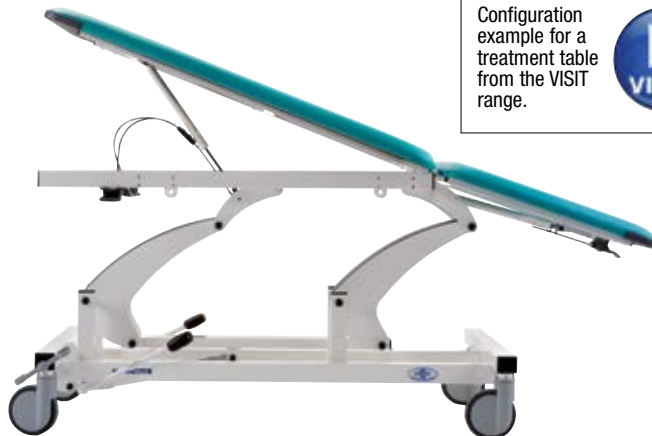
24 options available



Compact safety siderails - option 7.

For further information on options and accessories, please refer to the specific pages.

Configuration example for a treatment table from the VISIT range.



TECHNICAL FEATURES

| | |
|-----------------------------------|--|
| Number of sections | 2 |
| Max safety load (kg) | 200 |
| Height adjustment | Electric (battery) / Hydraulic |
| Minimum/maximum table height (cm) | 55-97 |
| Mains supply | N/A - Battery charger 110-220V, 50-60 Hz |
| Actuator thrust (N) | 6000 |
| IP Protection | X4 |
| Head section adjustment | Gas spring-assisted |
| Head section tilt | +70° -20° |
| Wheels diameter (mm) | 150 |
| Braking system | Central |
| Upholstery safety rating | 1 IM |
| Padding thickness (mm) | 40 |
| Density (kg/m³) | 30 |
| Weight (kg) | 86 |

ACCESSORIES:

ELECTRICAL ACCESSORIES:

- AC0037 ADDITIONAL FOOT SWITCH 1
- AC0071 SPARE BATTERY IPX5
- AC0318 WALL BATTERY CHARGER
- AC0575 FOOT SWITCH HOLDER
- AC0039 ADDITIONAL HAND CONTROL 1
- AC0083 ADDITIONAL CONTROL
- AC0578 SAFETY DEVICE

FOR PROTECTION AND HYGIENE:

- AC0031 PAPER ROLL HOLDER F
- AC0699 PAPER ROLL HOLDER H
- AC0034 STANDARD PAPER ROLL SET
- AC0036 PROTECTIVE SHEET SET
- AC0307 CYLINDER HOLDER

PADDED SUPPORTS AND ELEMENTS:

- AC0020.W? BREATHING HOLE PLUG
- AC0313 DRIP STAND SUPPORTS
- AC0027 DRIP STAND

CUSHIONS FOR POSTURE:

Refer to the first pages

upholstery color code



The quality of Chinesport products is the result of ongoing efforts for improvement and highest attention to detail. For example, the central braking system with one single, ergonomic foot switch control can be activated easily and noiselessly.



Here is an outline of the height-adjustable tables from the VISIT range for examination and manipulation. The movable sections are adjusted via a system that is servo-assisted by one or more gas springs. The frame is sturdy and stable, with a design that is protected by registered Community design.